

430  
438

零件手册  
PARTS BOOK

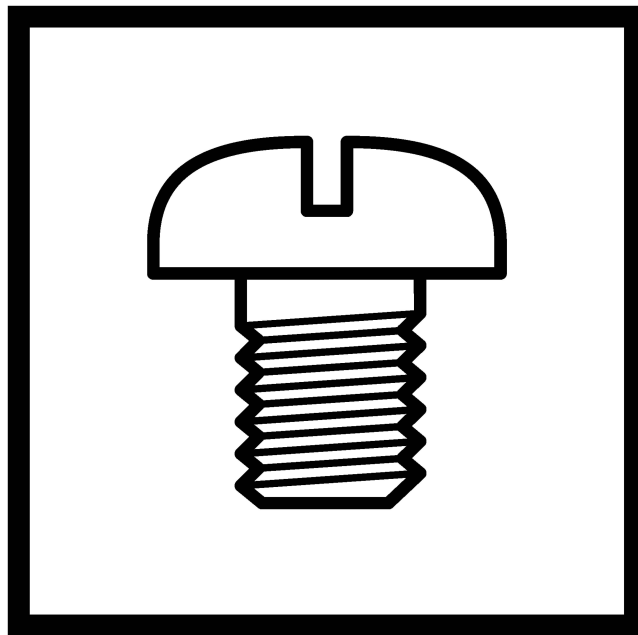
---

直接驱动式电脑平缝打结机 [430]

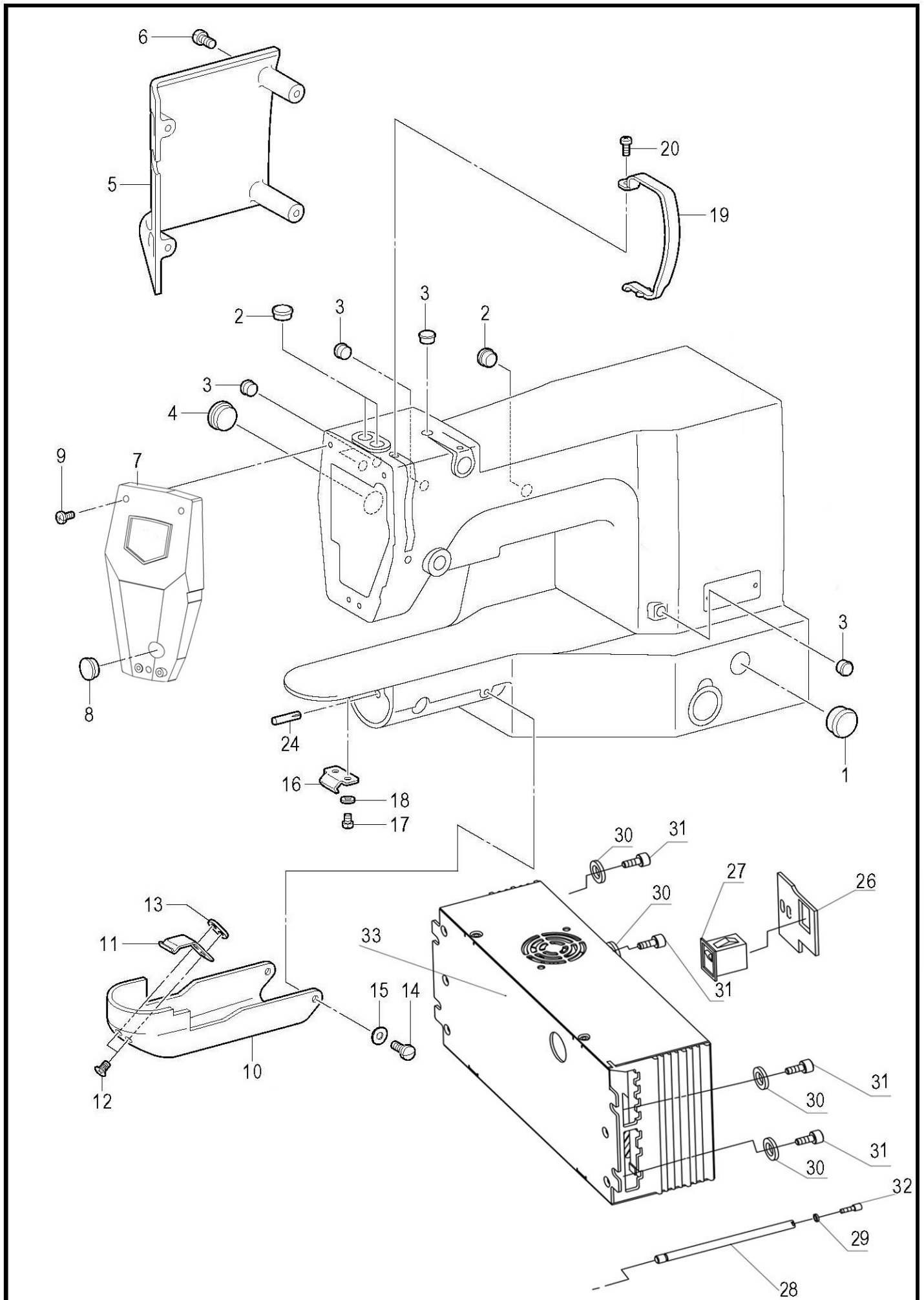
ELECTRONIC DIRECT DRIVE LOCKSTITCH BAR TACKER [KE-430D]

直接驱动式电脑平缝钉扣机 [438]

ELECTRONIC DIRECT DRIVE LOCKSTITCH BUTTON SEWER [BE-438D]



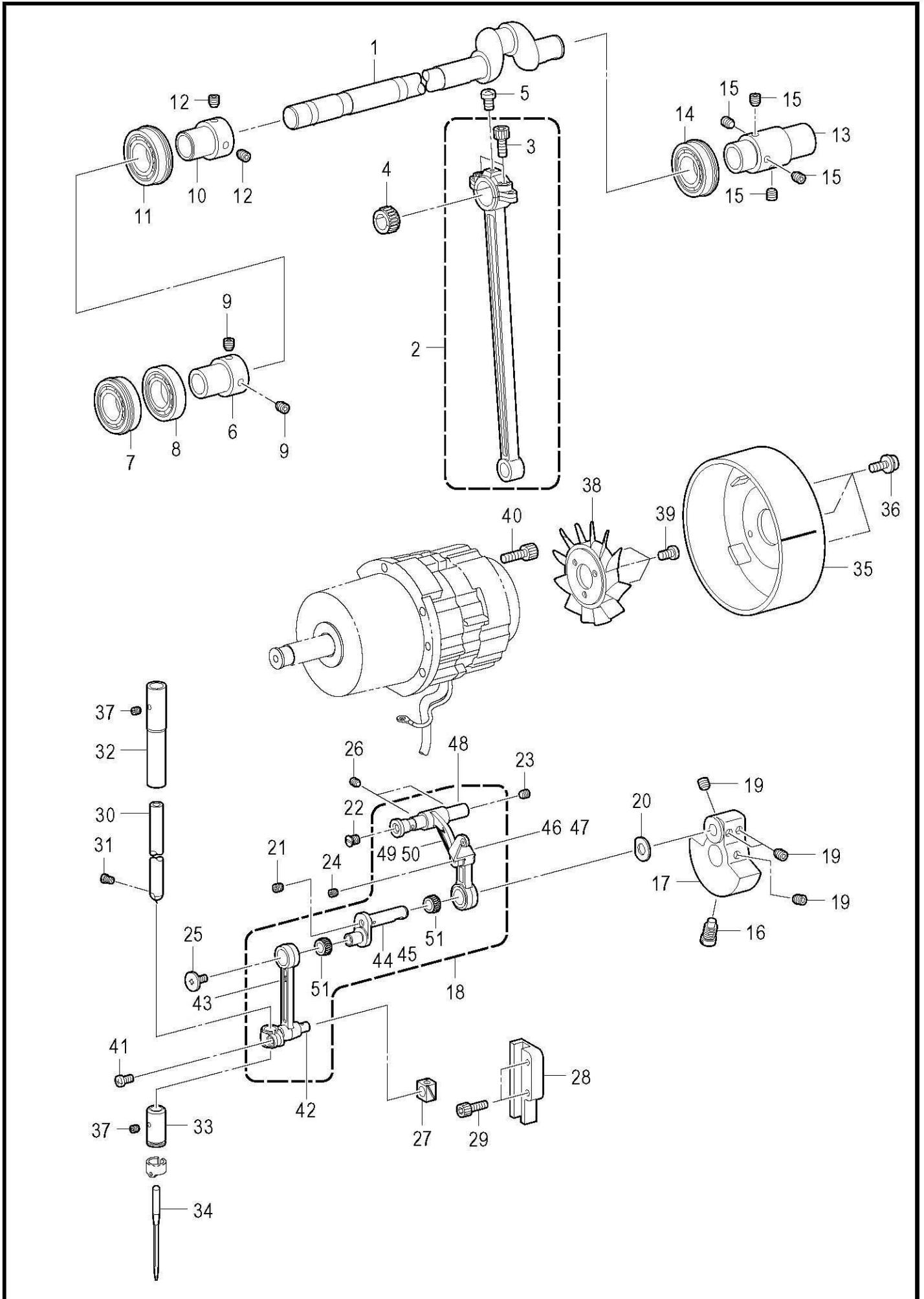
A. 机体部分 / Machine body



特种机系列>430系列> A. 机体部件、Machine body

序号NO	品号CODE	名称	NAME	数量
1	PF9820A61	油盖	OIL CAP	1
2	PF1310A04	橡皮塞13.5	RUBBER CAP, 13.5	3
3	PF1310A05	橡皮塞10.5	RUBBER CAP, 10.5	5
4	PF430GA04	油盖	OIL CAP	1
5	PF430GA05	侧面盖板	FRAME SIDE COVER	1
6	PF8420M-D30846	螺钉M6X10	SCREW, PAN M6X10	4
7	PF430GA07	主面板	FACE PLATE	1
8	PF1310A11	橡皮塞15.5	RUBBER CAP, 15.5	1
9	PF8420M-D31415	螺钉M5X10	SCREW, PAN M5X10	3
10	PF430GA10	大旋梭盖	SHUTTLE RACE COVER	1
11	PF430GA11	大旋梭盖钩D	SHUTTLE RACE COVER HOOK D	1
12	PF1310A16	螺钉M3X5	SCREW, FLAT M3X5	2
13	PF1310A17	板螺母	NUT PLATE	1
14	PF430GA14	段螺钉8-2	SHOULDER SCREW, 8-2	2
15	PF430GA15	弹簧垫圈	WASHER, WAVE SPRING	2
16	PF430GA16	大旋梭盖钩U	SHUTTLE RACE COVER HOOK U	1
17	PF1310C248	螺钉M3X4	SCREW, PAN M3X4	2
18	PF1310J65	平垫圈M3	WASHER, PLAIN M 3	2
19	PF1310A23	挑线杆防护罩	THREAD TAKE-UP COVER	1
20	PF1310A24	螺钉M4X10	SCREW, PAN M4X10 <Except for China>	1
24	PF1310A02	开口销	DOWEL PIN	1
26	TA2901	开关安装板	SWITCH PLATE	1
27	TA2905	大豪一体机开关	DAHAO SWITCH	1
28	TA2902	后罩壳支柱螺钉	BACK COVER SUPPORT SCREW	1
29	PF1310J65	平垫圈 M3	WASHER ,PLAIN M3	1
30	PF7810749	平垫圈	WASHER	4
31	PF1310C252	螺栓M4X10	BOLT, SOCKET M4X10	4
32	PF1790S0907	螺钉	SCREW	1
33-1	PF430GR36	大豪一体机 (430G)	DAHAO ALL-IN-ONE CONTROL BOX (430G)	1
33-2	PF436W23101	大豪一体机 (436G)	DAHAO ALL-IN-ONE CONTRIL BOX (436G)	1

B. 上轴 · 针杆装置 / Upper shaft and needle bar mechanism



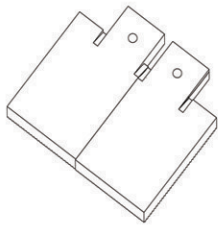
特种机系列>430系列> B. 针杆装置、Upper shaft and needle bar mechanism

序号NO	品号CODE	名称	NAME	数量
1	PF430GB01	上轴	UPPER SHUFT	1
2	PF1310B02	曲柄轴组件	CRANK ROD ASSY	1
3	PF1310B03	螺栓M5X16	BOLT, SOCKET M5X16	2
4	PF1310B04	滚针轴承(-2-4)	NEEDLE BEARING	1
4	PF1310B0402停用	滚针轴承(0-2)停用	NEEDLE BEARING	1
5	PF1310C248	螺钉 M3X4	SCREW, PAN M3X4	1
6	PF1310B05	轴承套	BALL BEARING BUSH	1
7	PF1310B06	轴承 6904DDUNR	BALL BEARINH, 6904DDUNR	1
8	PF1310B07	轴承 R-6904DDU	BALL BEARING, RADIAL 6904DDU	1
9	SCJ2079	固定螺丝 M6X6	SET SCREW, SOCKET (FT) M6X6	2
10	PF1310B05	轴承套	BALL BEARING BUSH	1
11	PF1310B10	轴承 6004DDUNR	BALL BEARING, 6004DDUNR	1
12	SCJ2079	固定螺钉 M6X6	SET SCREW, SOCKET (FT) M6X6	2
13-1	PF430GB1301	430G管接头 A	JOINT, A	1
13-2	PF430GB1302	438G管接头 B	JOINT, B	1
14	PF1310B13	轴承6204DDUNR	BALL BEARING 6204DDUNR	1
15	SCJ2079	固定螺钉 M6X6	SET SCREW, SOCKET (FT) M6X6	4
16	PF1310B15	螺钉 M8	SCREW, M8	1
17-1	PF430GB1701	430G平衡曲柄 C	THREAD TAKE-UP CRANK, C	1
17-2	PF430GB1702	438G平衡曲柄 B	THREAD TAKE-UP CRANK, B	1
18-1	PF430GB1801	430G挑线杆组件A	THREAD TAKE-UP LEVER, A SET	1
18-2	PF430GB1802	438G挑线杆组件B	THREAD TAKE-UP REVER, B SET	1
19	SCJ2079	固定螺丝 M6X6	SET SCREW, SOCKET (FT) M6X6	4
20	PF1310B18	垫圈 8	WASHER, PLAIN SPECIAL 8	1
21	BF70033	螺钉 M3X3	SET SCREW, SOCKET (FT) M3X3	1
22	PF1310B20	螺钉 M5X6	SCREW, FLAT M5X6	1
23	BF310164514	螺钉 M5X5	SET SCREW, SOCKET (FT) M5X5	1
24	BF70033	螺钉 M3X3	SET SCREW, SOCKET (FT) M3X3	1
25	PF1310B23	螺钉SM3.57-40X6L	SCREW, SM3.57-40X6 L	1
26	PF1310B24	螺钉 M6X6	SET SCREW, SOCKET (FT) M6X6	2
27	PF1310B25	滑块	SLIDE BLOCK	1
28	PF1310B26	滑块导向 B	SLIDE BLOCK GUIDE	1
29	PF1310B27	螺栓 M4X16	BOLT, SOCKET M4X16	2
30	PF430GB30	针杆 A	NEEDLE BAR, A	1
31	PF1310B29	螺钉 SM3.57-40X4.5	SET SCREW, SM3.57-40X4.5	1
32	PF430GB32	针杆轴套 U	NEEDLE BAR BUSH, U	1
33	PF1310B31	针杆轴套 D	NEEDLE BAR BUSH, D	1
34	PFDTDP1716	机针 DP17/16	NEEDLE	1
35	PF430GB35	上轮	PULLEY	1
36	PF1310C233	螺栓(带垫圈) M4X10DB	SCREW, PAN(S/P WASHER)M4X10	3
37	BF310164514	螺钉 M5X5	SET SCREW, SOCKET (FT) M5X5	2
38	PF1310B33	叶轮	FAN	1
39	PF1310B22	螺钉 M4X8	SCREW, PAN M4X8	3
40	PF1310B03	螺栓 M5X16	BOLT, SOCKET M5X16	4
41	PF1310B22	螺钉 M4X8	SCREW, PAN M4X8	1
42	PF430GB42	针杆接头	NEEDLE BAR LINK	1
43	PF430GB43	小连杆	THREAD TAKE-UP LIFTER	1
44	PF430GB44	挑线连接曲柄(C)	CRANKC	1
45	PF430GB45	挑线连接曲柄(B)	CRANK B	1
46	PF430GB46	挑线杆(C)	THREAD TAKE-UP SET C	1
47	PF430GB47	挑线杆(B)	THREAD TAKE-UP SET B	1
48	PF430GB48	支柱销	PIN	1
49	PF430GB49	小连杆(C)	THREAD TAKE-UP LINK C	1
50	PF430GB50	小连杆(B)	THREAD TAKE-UP LINK B	1
51	PF430GB51	滚针轴承	NEEDLE BEARING	2

C. 送料装置 / Feed mechanism

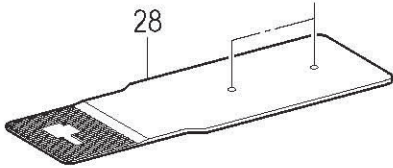
" 选购件 / OPTION PARTS "

79



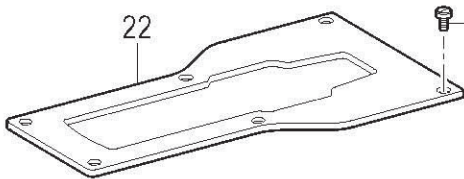
28

29



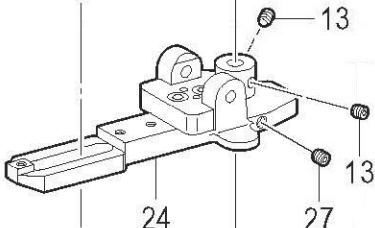
22

23



3

74

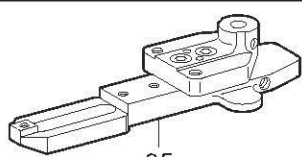
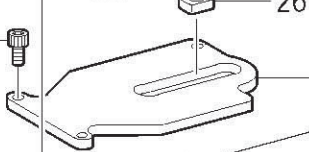


< 用于 438G  
/ For " 438G " >

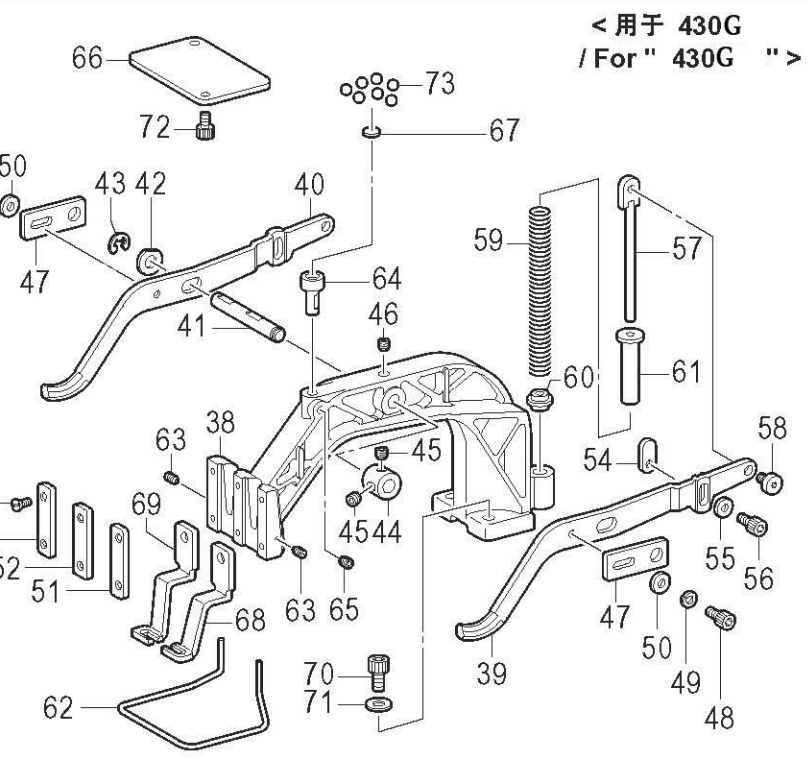
75

26

21



< 用于 430G  
/ For " 430G " >



< 用于 430G  
/ For " 430G " >

66

72

73

67

48

50

43

42

40

49

47

41

64

46

59

57

61

58

53

51

52

51

69

68

63

65

63

65

45

45

44

45

45

45

45

45

62

70

71

39

47

50

49

48

36

37

35

19

81

12

10

15

14

16

17

18

15

9

7

7

8

11

12

2

4

30

32

31

32

34

1

5

15

15

14

6

80

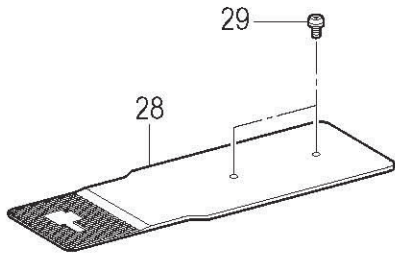
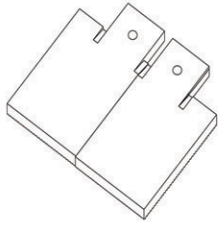
特种机系列>430系列> C. 送料装置、Feed mechanism

序号NO	品号CODE	名称	NAME	数量
1	PF430GC01	送料杆轴套(X)	X-FEED LEVER BUSH	1
2	PF430GC02	送料杆(X)	X-FEED LEVER	1
3	PF430GC0301	滑块	SLIDE BLOCK	1
4	BF310164514	螺钉M5X5	SET SCREW, SOCKET (FT) M5X5	1
5	PF430GC05	送料齿轮(X)	X-FEED GEAR	1
6	PF430GB06	螺栓M6X30	BOLT, SOCKET M6X30	1
7	PF1790S0514	轴向轴承10	BEARING 10 ,LINER	2
8	PF1310B24	螺钉M6X6	SET SCREW, SOCKET (FT) M6X6	2
9	PF430GC09	齿条轴(Y)	Y-FEED RACK SHAFT	1
10	PF430GC10	轴销(Y)	Y-CONNECTING PIN	1
11	PF1310J43	垫圈	THRUST WASHER	1
12	SCJ1009	挡圈E6	RETAINING RING, E6	2
13	PF1310B24	螺钉M6X6	SET SCREW, SOCKET (FT) M6X6	2
14	PF430GC14	送料齿轮	FEED GEAR	2
15	PF1310B52	螺钉M6X5	SET SCREW, SOCKET (FT) M6X5	4
16	PF430GC16	偏心轴	ECCENTRIC SHAFT	1
17	PF430GC17	R球轴承608ZZ	BALL BEARING, ARDIAL 608ZZ	2
18	SCJ1015	轴用挡圈C8	RETAINING RING, EXTERNAL C8	1
19	PF1310B24	螺钉M6X6	SET SCREW, SOCKET (FT) M6X6	1
20	PF430GC20	送料台支板	FEED BAR SUPPORT PLATE	1
21	PF1310C252	螺栓M4X10	BOLT, SOCKET M4X10	3
22	PF430GC22	送料台盖板	FEED BAR COVER	1
23	PF1310J69	螺钉M4X8	SCREW, M4X8	6
24	PF430GC2401	438G送料台小组件B	FEED BAR SUB ASSY B	1
25	PF430GC2501	430G送料台小组件A	FEED BAR SUB ASSY A	1
26	PF430GC2601	送料滑块	FEED SLIDE BLOCK	1
27	PF1310B24	螺钉M6X6	SET SCREW, SOCKET (FT) M6X6	1
28	PF430GC2802	送料板31X16	FEED PLATE31X16	1
29	PF430GC29	螺钉SM4. 37	SCREW, ROUND W/SOCKET SM4. 37	2
30	PF430GC30	马达安装板(X)	X-MOTOR SETTING PLATE	1
31	PF1310D259	螺栓M6X12	BOLT, SOCKET M6X12	2
32	PF1310R119	平垫圈M6	WASHER, PLAIN M 6	3
33	PF430GC33	套筒	COLLAR	1
34	PF430GC34	螺栓M6X35	BOLT, SOCKET M6X35	1
35	PF430GC35	马达安装板(Y)	Y-MOTOR SETTING PLATE	1
36	PF1310D259	螺栓M6X12	BOLT, SOCKET M6X12	2
37	PF1310R119	平垫圈M6	WASHER, PLAIN M 6	2
38	PF430GC38	压脚臂	WORK CLAMP ARM	1
39	PF430GC39	QC压脚臂杆R	WORK CLAMP ARM LEVER, R	1
40	PF430GC40	QC压脚臂杆L	WORK CLAMP ARM LEVER, L	1
41	PF430GC41	QC压脚臂杆轴	WORK CLAMP ARM LEVER SHAFT	1
42	PF430GC42	垫圈8	WASHER, PLAIN SPECIAL 8	1
43	PF430GC43	挡圈E6	RETAINING RING, E6	1
44	PF1310E05	紧圈B	SET SCREW COLLAR, B	1
45	PF1310B52	螺钉M6X5	SET SCREW, SOCKET (FT) M6X5	2
46	BF310164514	螺钉M5X5	SET SCREW, SOCKET (FT) M5X5	1
47	PF430GC47	QC杆轴支架	WORK CLAMP LEVER SUPPORT	2
48	PF1310C334	螺栓M5X8	BOLT, SOCKET M5X8	2
49	PF430GC49	弹簧垫圈2-5	WASHER, SPRING 2-5	2
50	PF430GC50	平垫圈M5	WASHER, PLAIN M 5	2
51	PF430GC51	压脚压板A	WORK CLAMP GUIDE BRACKET, A	2
52	PF430GC52	压脚压板B	WORK CLAMP GUIDE BRACKET, B	1
53	PF430GC53	螺钉M3. 5	SCREW, FLAT M3. 5	6
54	PF430GC54	压脚高度调节板	WORK CLAMP ARM LEVER PLATE	2
55	PF430GC55	垫圈5	WASHER, PLAIN 5	2
56	PF430GC56	螺栓M5X8	BOLT, SOCKET M5X8	2
57	PF430GC57	弹簧导向杆	SPRING GUIDE ROD	2
58	PF430GC58	螺钉M5	SHOULDER SCREW, M5	2
59	PF430GC59	弹簧A	PRESSER SPRING, A	2

C. 送料装置 / Feed mechanism

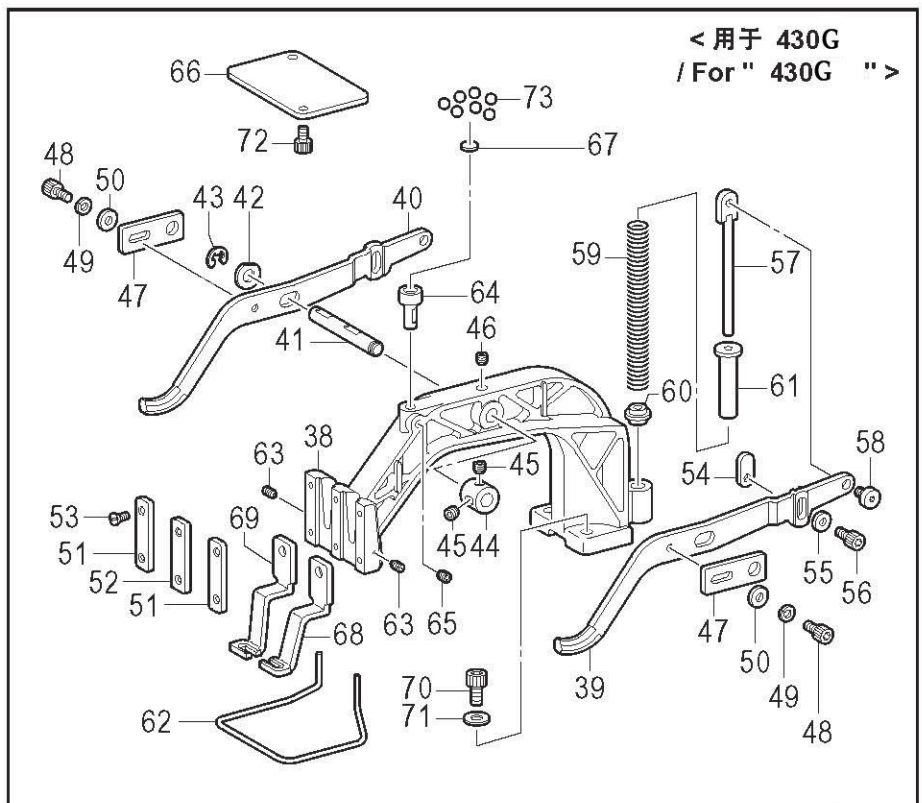
" 选购件 / OPTION PARTS "

79

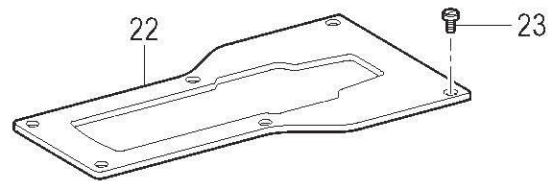


29

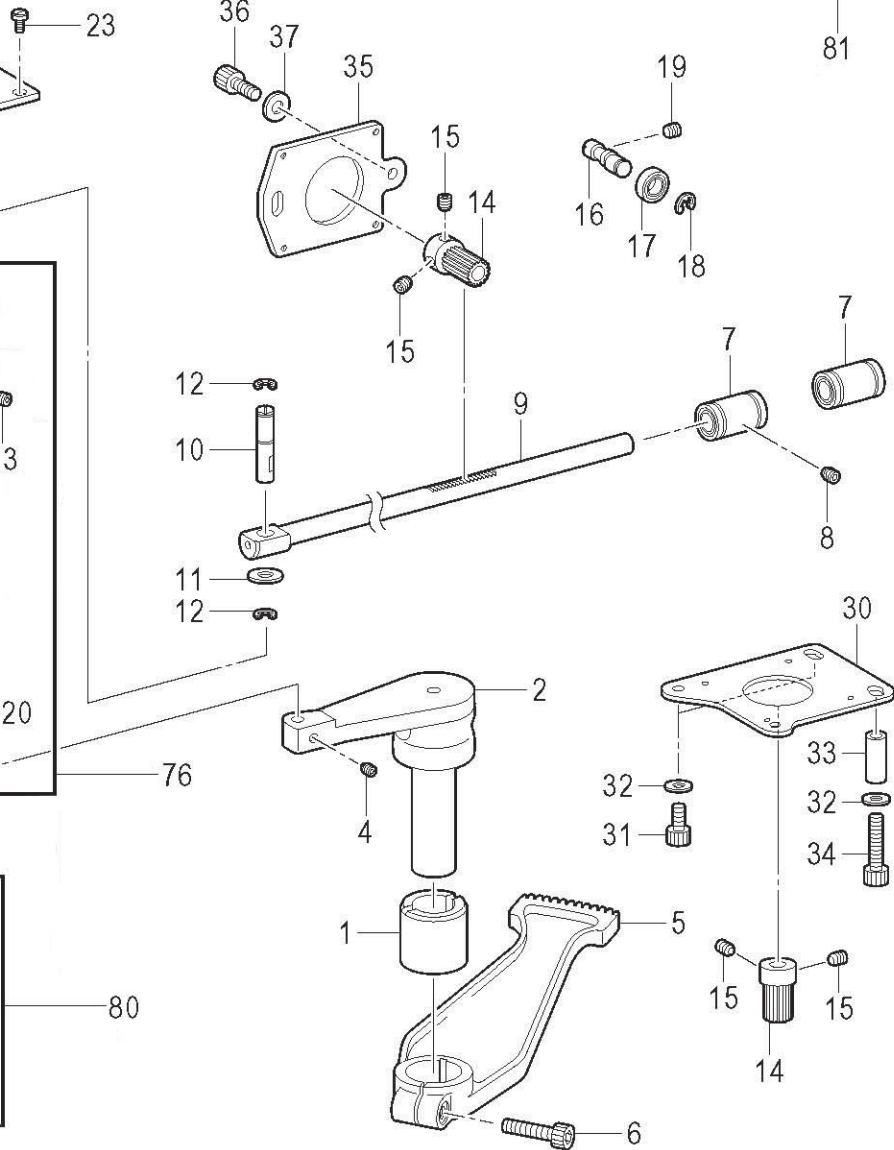
28



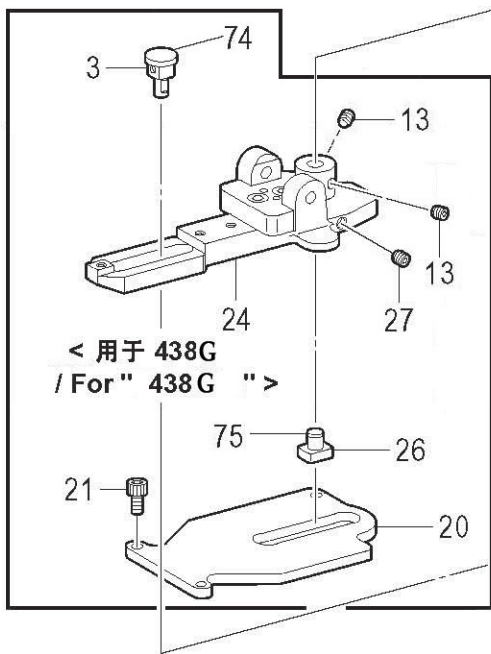
< 用于 430G  
/ For " 430G " >



22

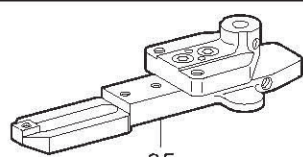


81



< 用于 438G  
/ For " 438G " >

21



25

< 用于 430G  
/ For " 430G " >

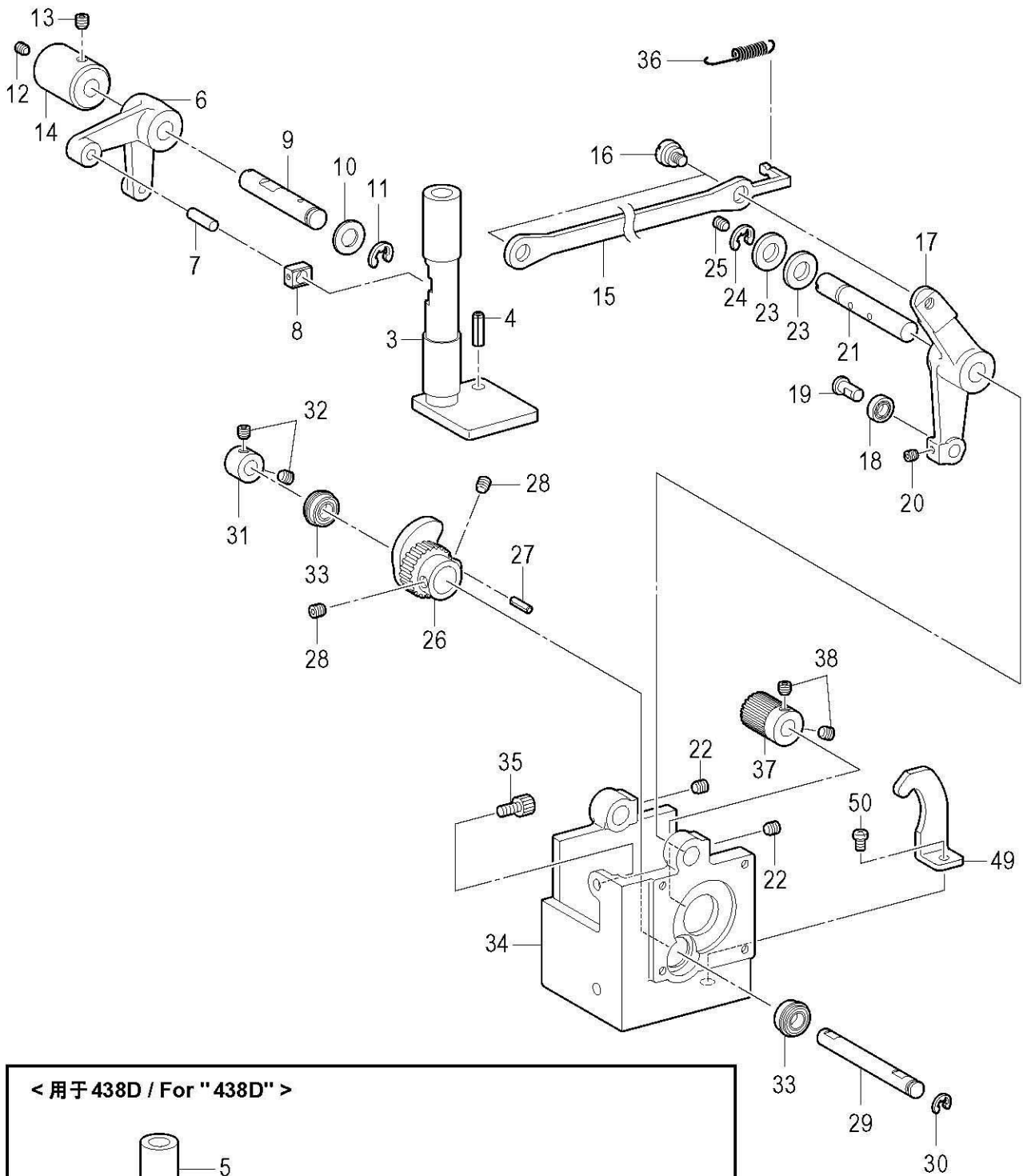
80



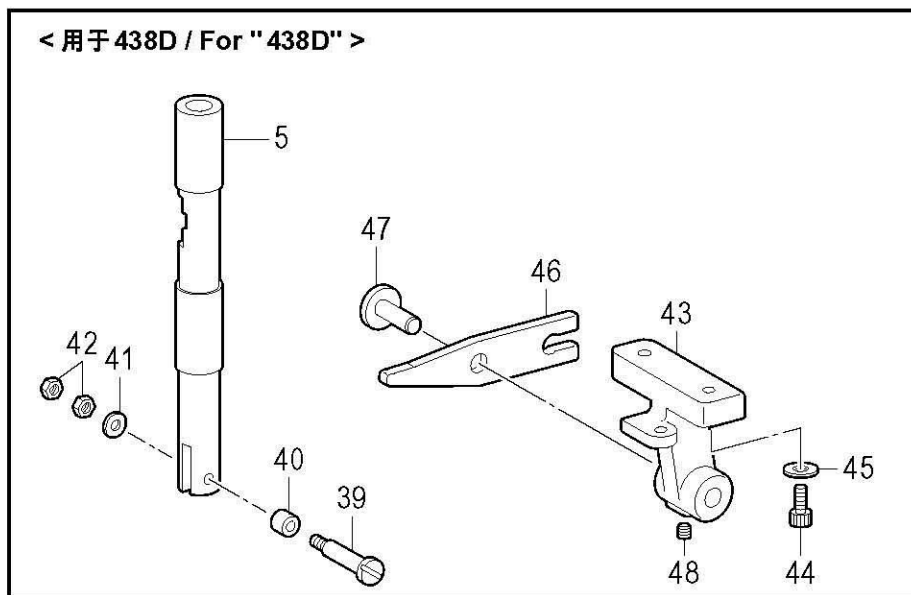
特种机系列>430系列> C. 送料装置、Feed mechanism

60	PF430GC60	弹簧座圈	PRESSER SPRING SPACER	2
61	PF430GC61	弹簧导柱	PRESSER SPRING COLLAR	2
62	PF430GC62	护指器	FINGER GUARD	1
63	PF430GC63	螺钉M3.5	SET SCREW, (CP) M3.5	2
64	PF430GC64	压脚臂短轴	SUPPORT SHAFT,W-CLAMP	1
65	PF430GC65	螺钉M5X5	SET SCREW, SOCKET (FT) M5X5	1
66	PF430GC66	压脚臂支板	WORK CLAMP ARM SUPPORT PLATE	1
67	PF430GC67	垫片	SPACER,W-CLAMP	1
68-1	PF430GC6801	01款左右压脚	WORK CLAMP	1
68-2	PF430GC6802	02款左右压脚	WORK CLAMP	1
69	PF430GC69	压脚L	WORK CLAMP, LEFT	1
70	PF430GC70	螺栓M6X16	BOLT, SOCKET M6X16	2
71	PF1310R119	平垫圈M6	WASHER, PLAIN M 6	2
72	PF1310C110	螺栓M4X8	BOLT, SOCKET M4X8	2
73	SCJ6070	钢球1/8	BEARING BALL, 1/8	7
74	PF430GC0302	送料杆轴销	X-FEED PIN	1
75	PF430GC2602	送料杆滑块销	FEED LEVER PIN	1
76	PF430GC24	438G送料台组件(4组)	FEED BAR SUB ASSY B	1
77	PF430GC77	拉杆座	PULL ROD SUPPORT	2
78	PF430GC78	支架	LEVER HOLDER	1
79	PF430GC79	压脚板	WORK CLAMP BLANK	2
80	PF430GC25	430G送料台组件(4组)	FEED BAR SUB ASSY A	1
81-1	PF430GC3801	压脚组件A	WORK CLAMP ARM	1
81-2	PF430GC3802	压脚组件B	WORK CLAMP ARM	1
81-3	PF430GC3803	压脚组件D	WORK CLAMP ARM	1

D. 抬压装置 / Work clamp lifter mechanism



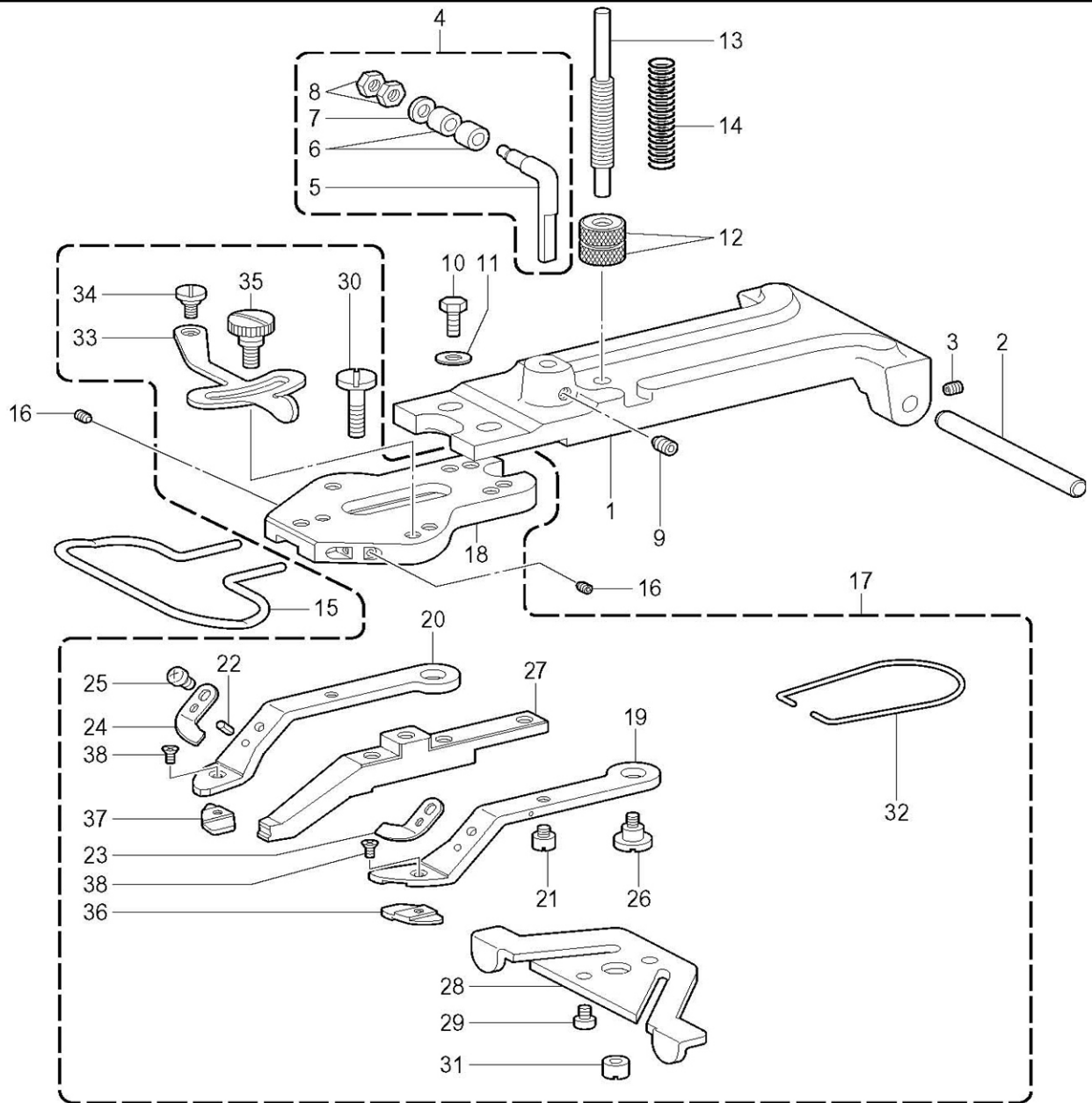
< 用于 438D / For "438D" >



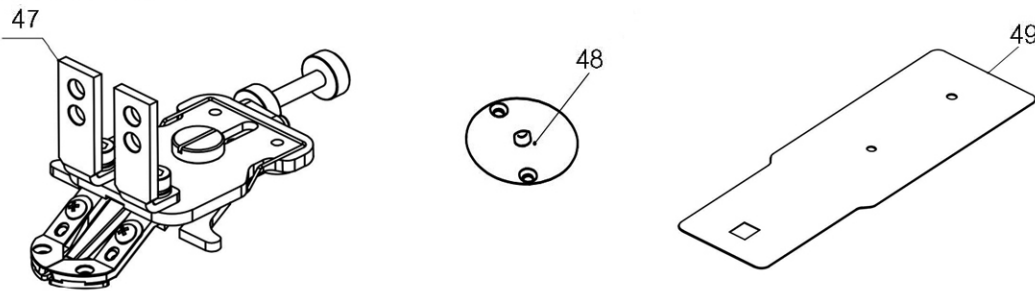
特种机系列>430系列> D. 抬压装置、Work clamp lifter mechanism

序号NO	品号CODE	名称	NAME	数量
3	PF430GD03	抬压压脚板	WORK CLAMP LIFTER PLATE	1
4	SCJ4020	弹簧销AW6	PIN, SPRING ROLL AW6	1
5	PF430GD05	<用于晒-438G> 夹扣杆	<For 438G> BUTTON CLAMP ROD	
6	PF430GD06	抬压杆	LIFTER LEVER	1
7	PF1310D207	销	PIN	1
8	PF1310D208	针杆接头滑块	NEEDLE BAR GUIDE SLIDE BLOCK	1
9	PF430GD09	抬压杆轴	LEVER SHAFT	1
10	PF1310C126	平垫圈10	WASHER, PLAIN 10	1
11	SCJ1013	挡圈E8	RETAINING RING, E8	1
12	BF310164514	螺钉M5X5	SET SCREW, SOCKET (FT) M5X5	1
13	PF1310B24	螺钉M6X6	SET SCREW, SOCKET (FT) M6X6	1
14	PF430GD14	抬压杆轴套	W-CLAMP LIFTER LEVER BUSH	1
15	PF430GD15	抬压杆	LINK	1
16	PF1310D216	段螺钉	LINK SHOULDER SCREW	2
17	PF430GD17	抬压驱动板	DRIVE LEVER W-CLAMP LIFTER	1
18	PF1310D244	轴承 R-696ZZ	BALL BEARING, RADIAL 696ZZ	1
19	PF1310D243	抬压滚轮轴	W-CLAMP LIFTER ROLLER SHAFT	1
20	BF310164514	螺钉M5X5	SET SCREW, SOCKET (FT) M5X5	1
21	PF430GD20	抬压凸轮杆轴	CAM LEVER SHAFT	1
22	PF1310B24	螺钉M6X6	SET SCREW, SOCKET (FT) M6X6 WASHER	2
23	PF1310C126	平垫圈10	PLAIN 10	2
24	SCJ1013	挡圈E8	RETAINING RING, E8	1
25	BF310164514	螺钉M5X5	SET SCREW, SOCKET (FT) M5X5	1
26	PF430GD26	抬压凸轮齿轮	CAM GEAR	1
27	SCJ4020	弹簧销	PIN, SPRING ROLL AW3	1
28	PF1310B24	螺钉M6X6	SET SCREW, SOCKET (FT) M6X6	2
29	PF430GD29	抬压凸轮轴	CAM SHAFT	1
30	SCJ1009	挡圈E6	RETAINING RING, E6	1
31	PF1310C313	紧圈B	SET SCREW COLLAR, B	1
32	PF1310B52	螺钉M6X5	SET SCREW, SOCKET (FT) M6X5	2
33	PF430GD33	R球轴承 F688ZZ	BALL BEARING	2
34	PF430GD34	马达底座	RADIAL 688ZZ MOTOR BRACKET	1
35	PF1310D259	螺栓M6X12	BOLT, SOCKET M6X12	2
36	PF430GD36	弹簧	SPRING	1
37	PF1310C253	驱动齿轮16	GEAR 16	1
38	PF1310B52	螺钉M6X5	SET SCREW, SOCKET (FT) M6X5	2
39	PF430GD39	夹扣滚轮轴	BUTTON CLAMP ROLLER SHAFT	1
40	PF430GD40	滚轮	ROLLER	1
41	PF1310C136	平垫圈M4	WASHER, PLAIN M 4	1
42	PF1310L06	六角螺母M4	NUT, 2 M4	2
43	PF430GD43	夹扣手柄支架	BUTTON CLAMP LEVER HOLDER	1
44	PF430GC70	螺栓M6X16	BOLT, SOCKET M6X16	2
45	PF1310R119	平垫圈M6	WASHER, PLAIN M 6	2
46	PF430GD46	夹扣手柄	BUTTON CLAMP LEVER	1
47	PF430GD47	夹扣杆轴	BUTTON CLAMP LEVER SHAFT	1
48	PF1310B24	螺钉M6X6	SET SCREW, SOCKET (FT) M6X6	1
49	PF430GD49	抬压凸轮止动板	STOPPER	1
50	PF8420M-D30846	螺钉M6X10	SCREW, PAN M6X10	1

E. 钮夹 · 作动装置 / Button clamp mechanism



" 简易套结转钉扣装置/QUICK REPLACEMENT DEVICE FOR FASTENING PIN BUCKLE "



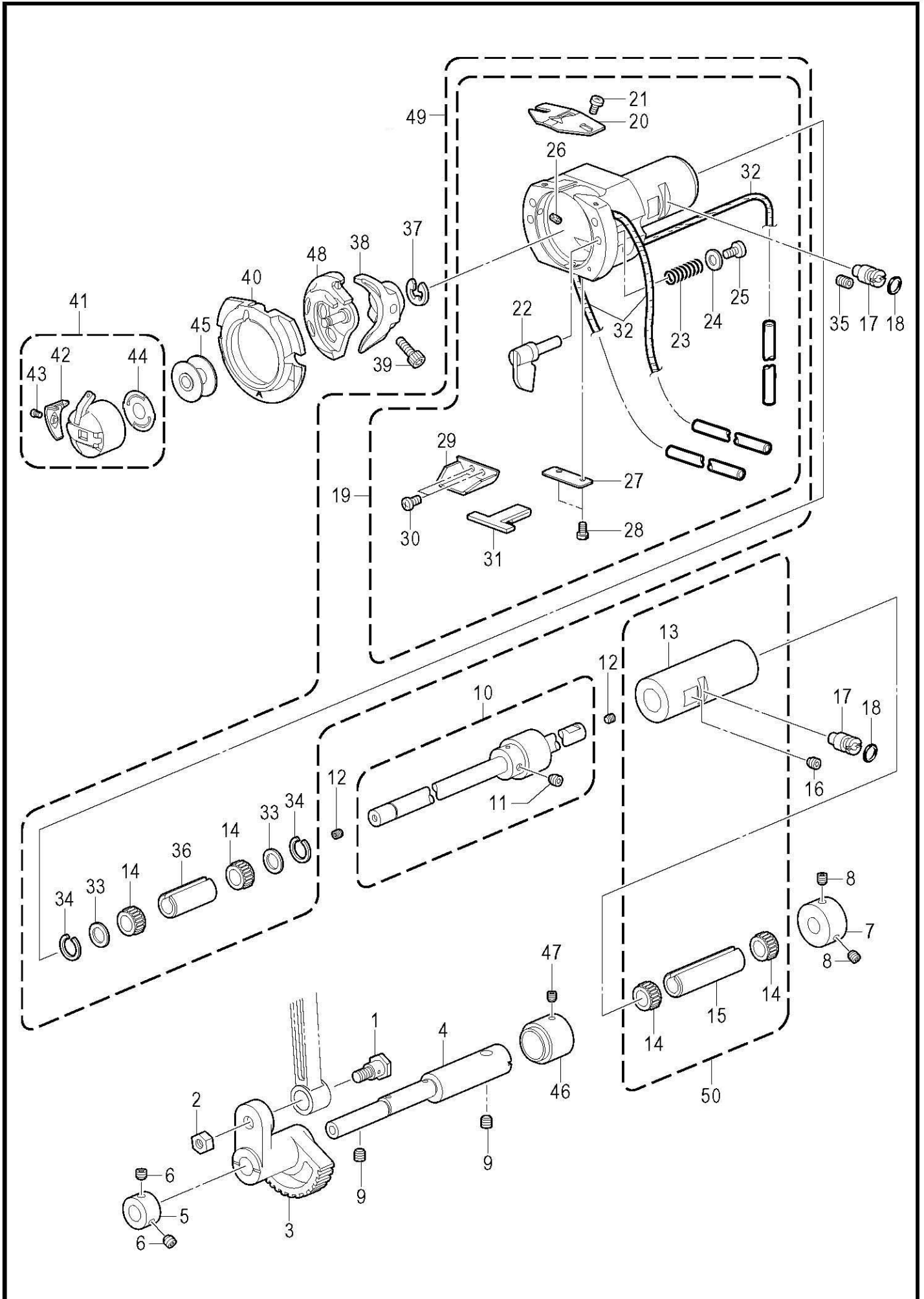
" 选购件 / OPTION PARTS "



特种机系列>430系列> E. 钮夹作动装置、Button clamp mechanism

序号NO	品号CODE	名称	NAME	数量
1	PF430GE01	钮夹支架	BUTTON CLAMP HOLDER	1
2	PF430GE02	钮夹支架轴	BUTTON CLAMP HOLDER SHAFT	1
3	PF430GE03	螺钉 SM4. 37-40X6	SET SCREW, SOCKET SM4. 37-40X6	2
4	PF430GE04	支架钩组件	BUTTON CLAMP HOLDER HOOK ASSY	1
5	PF430GE05	支架钩	B-CLAMP HOLDER HOOK	1
6	PF430GD40	滚轮	ROLLER	2
7	PF430GE07	垫片 4. 76	WASHER, PLAIN 4. 76	1
8	PF430GE08	螺母 SM4. 37	NUT SM4. 37	2
9	PF430GE09	螺钉 SM5. 95-28X6	SET SCREW, SOCKET SM5. 95-28X6	1
10	PF430GE10	螺栓 SM4. 76X14	BOLT, SM4. 76-32X14	2
11	PF1310J50	垫圈5	WASHER, PLAIN 5	2
12	PF430GE12	调整螺母SM6. 35-40	NUT, ROUND SM6. 35-40	2
13	PF430GE13	螺钉 SM6. 35-40	ADJUSTING SCREW, SM6. 35-40	1
14	PF430GE14	压簧	COMPRESSION SPRING	1
15	PF430GE15	护指器	FINGER GUARD	1
16	PF430GE16	固定螺钉SM3. 57	SET SCREW, (FT) SM3. 57	2
17	PF430GE17	钮夹组件2A	BUTTON CLAMP ASSY, 2A	1
18	PF430GE18	钮夹台	BUTTON CLAMP BASE	1
19	PF430GE19	钮夹2AL	BUTTON CLAMP, 2AL	1
20	PF430GE20	钮夹2AR	BUTTON CLAMP, 2AR	1
21	PF430GE21	导向销	BUTTON CLAMP GUIDE PIN	2
22	PF430GE22	弹簧销AW2. 5	PIN, SPRING ROLL AW2. 5	2
23	PF430GE23	钮夹板弹簧	BUTTON CLAMP 2AL PLATE SPRING	1
24	PF430GE24	钮夹板弹簧	BUTTON CLAMP 2AR PLATE SPRING	1
25	PF430GE25	螺钉 SM4. 37-40X5	SCREW, PAN SM4. 37-40X5	2
26	PF430GE26	段螺栓SM4. 76	SHOULDER SCREW, SM4. 76	2
27	PF430GE27	钮夹2AM	BUTTON CLAMP, 2AM	1
28	PF430GE28	钮夹调节板凸轮	BUTTON CLAMP PLATE CAM	1
29	PF430GE29	螺钉 SM4. 37-40X8	SCREW, PAN SM4. 37-40X8	2
30	PF430GE30	螺钉SM4. 37	SCREW, SM4. 37	1
31	PF430GE31	螺母SM4. 37	NUT, ROUND SM4. 37	1
32	PF430GE32	弹簧	SPRING	1
33	PF430GE33	钮夹调节板	BUTTON CLAMP ADJUSTING PLATE	1
34	PF430GE34	段螺栓SM4. 37	SHOULDER SCREW, SM4. 37	1
35	PF430GE35	段螺栓SM4. 37	SHOULDER SCREW, SM4. 37	1
36	PF430GE36	钮夹垫BL	BUTTON CLAMP SPACER, BL	1
37	PF430GE37	钮夹垫BR	BUTTON CLAMP SPACER, BR	1
38	PF430GE38	螺钉 SM2. 38X4	SCREW, FLAT SM2. 38X4	2
39	PF430GE39	钮夹垫AL	BUTTON CLAMP SPACER, AL	1
40	PF430GE40	钮夹垫AR	BUTTON CLAMP SPACER, AR	1
41	PF430GE41	钮夹垫BL	BUTTON CLAMP SPACER, BL	1
42	PF430GE42	钮夹垫BR	BUTTON CLAMP SPACER, BR	1
43	PF430GE43	钮夹垫GL	BUTTON CLAMP SPACER, CL	1
44	PF430GE44	钮夹垫GR	BUTTON CLAMP SPACER, CR	1
45	PF430GE45	钮夹垫DL	BUTTON CLAMP SPACER, DL	1
46	PF430GE46	钮夹垫DR	BUTTON CLAMP SPACER, DR	1
47	PF430GE1701	新款转换扣夹	NEW TAPY BUTTON CLAMP ASSY	1
48	PF430GK6103	针板孔1. 6	NEEDLE HOLE PLATE 1. 6	1
49	PF430GC2803	送料板11X11	FEED PLATE11X11	1

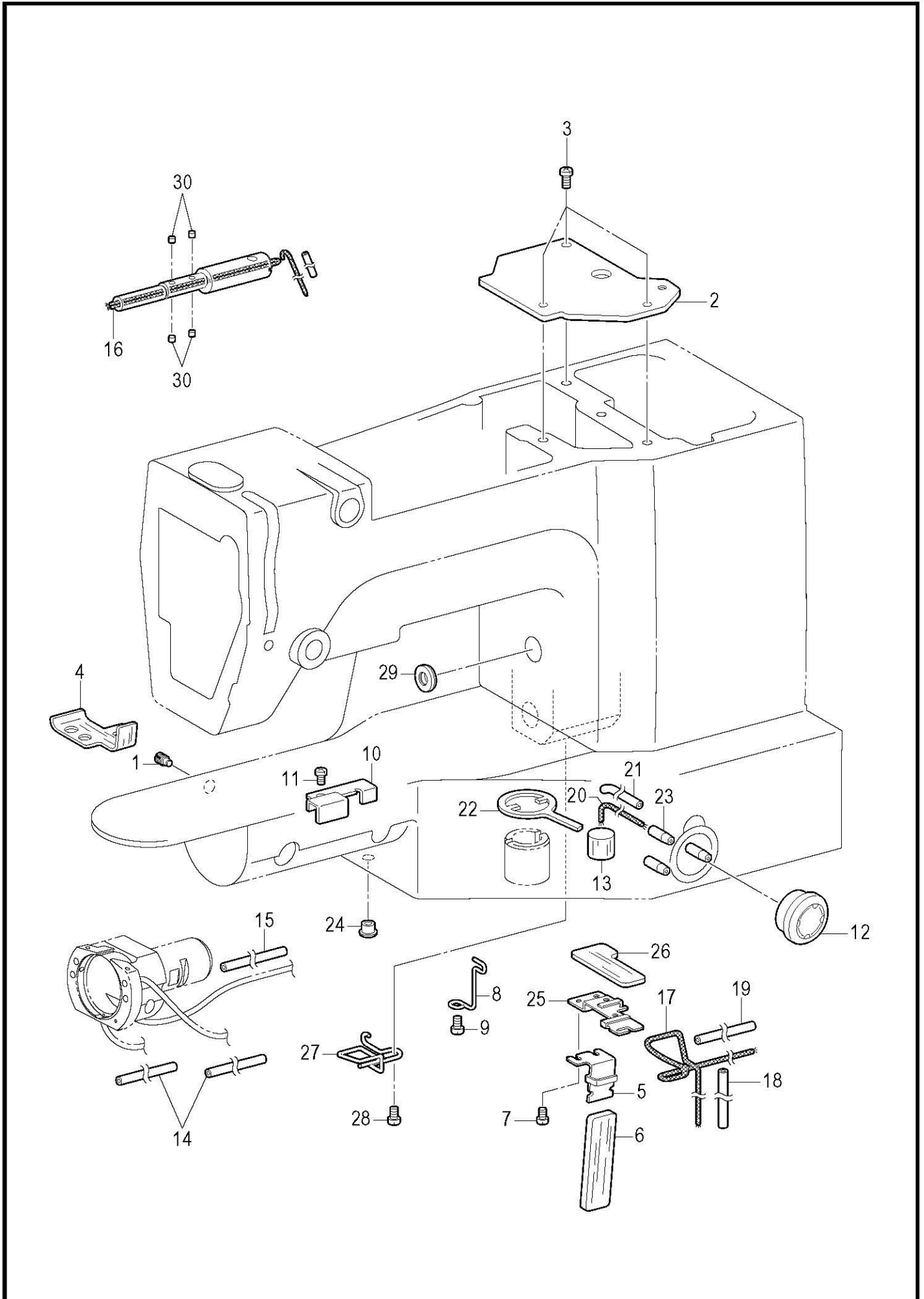
F. 下轴装置 / Lower shaft mechanism



特种机系列>430系列> F. 下轴装置、Lower shaft mechanism

序号NO	品号CODE	名称	NAME	数量
1	PF1310E01	段螺钉	SHOULDER SCREW	1
2	PF1310D142	螺母M6	NUT (FT), M6	1
3	PF1310E03	摆动齿轮	ROCK GEAR	1
4	PF430GF04	摆动齿轮轴A	ROCK GEAR SHAFT, A	1
5	PF1310E05	紧圈B	SET SCREW COLLAR, B	1
6	PF1310B52	螺钉M6X5	SET SCREW, SOCKET (FT) M6X5	2
7	PF1310E07	紧圈	SET SCREW COLLAR	1
8	SCJ2079	固定螺钉M6X6	SET SCREW, SOCKET (FT) M6X6	2
9	PF1310B24	螺钉M6X6	SET SCREW, SOCKET (FT) M6X6	2
10	PF430GF10	下轴组件	LOWER SHAFT ASSY	1
11	BF310164514	螺钉M5X5	SET SCREW, SOCKET (FT) M5X5	1
12	PF1310D125	螺钉M4X4	SET SCREW, SOCKET (FT) M4X4	2
13	PF1310E12	下轴轴套	LOWER SHAFT BUSH	1
14	PF1310E4401	轴承(-2-4)	NEEDLE BEARING	4
15	PF1310E45	下轴套圈	LOWER SHAFT COLLAR	1
16	PF8420M-D30231	螺钉M6X10	SET SCREW, SOCKET (FT) M6X10	1
17	PF1310E14	旋梭调节轴	ADJUSTING STUD	2
18	PF1310E15	O形圈PW3	O RING, PW3	2
19	PF1310E16	大旋梭台组件	SHUTTLE RACE BASE ASSY	1
20	PF430GF20	旋梭线导向	SHUTTLE RACE THREAD GUIDE	1
21	PF430GF21	螺钉M3X4	SCREW, M3X4	2
22	PF430GF22	大旋梭固定柄	S-RACE BASE SETTING CLAW	2
23	PF430GF23	弹簧	COMPRESSION SPRING	2
24	PF430GF24	平垫圈S3	WASHER, PLAIN S 3	2
25	PF1310E22	螺钉M3X6	SCREW, PAN M3X6	2
26	PF8420M-D31002	油毡	S-RACE BASE FELT	2
27	PF430GF27	油毡支架	FELT HOLDER	1
28	PF430GF28	固定螺钉M3X5.5	SCREW, M3X5.5	2
29	PF1310F58	油毡支架	FELT HOLDER	1
30	PF1310F59	螺钉M3X4	SCREW, M3X4	2
31	PF1310F51	油毡T	FELT, T	1
32	PF69349	油毡	FELT, L=360	3
33	PF1310E47	垫圈A	SPACER, A	2
34	PF68425H08	止动圈	RETAINING RING	2
35	PF8420M-D30231	螺钉M6X6	SET SCREW, SOCKET (FT) M6X6	1
36	PF1310E46	轴圈	COLLAR	1
37	SCJ1034	挡圈E7	RETAINING RING, E7	1
38	PF1310E32	梭托D	DRIVER, D	1
39	PF1310B03	螺栓M5X12	BOLT, SOCKET M5X12	1
40-1	PF1310E34A	大旋梭A	SHUTTLE RACE BASE	1
40-2	PF1310E34B	大旋梭B	SHUTTLE RACE BASE	1
41-1	PF430GF41	梭芯套组件	BOBBIN CASE ASSY	1
41-2	PF430GF4101	梭芯套组件渔网机	BOBBIN CASE ASSY	1
42	PF430GF42	夹线簧	TENSION SPRING	1
43	PF430GF43	螺钉	SCREW	1
44	PF430GF44	防空转弹簧	ANTI-SPIN SPRING	1
45	PF19000423	梭芯	BOBBIN	1
46	PF1310E40	紧圈R	SET SCREW COLLAR, R	1
47	BF310164514	螺钉M5X5	SET SCREW, SOCKET (FT) M5X5	1
48-1	PF430GF4801	中旋梭盒组件中厚料	SHUTTLE HOOK ASSY, W/BOX	1
48-2	PF430GF4802	中旋梭组件厚料	SHUTTLE HOOK ASSY, W/BOX	1
49	PF430GF49	大旋梭台复合件	SHUTTLE RACE BASE SET	1
50	PF430GF50	下轴轴套组件	LOWER SHAFT BUSH ASSY	1

G. 供油润滑装置 / Lubrication

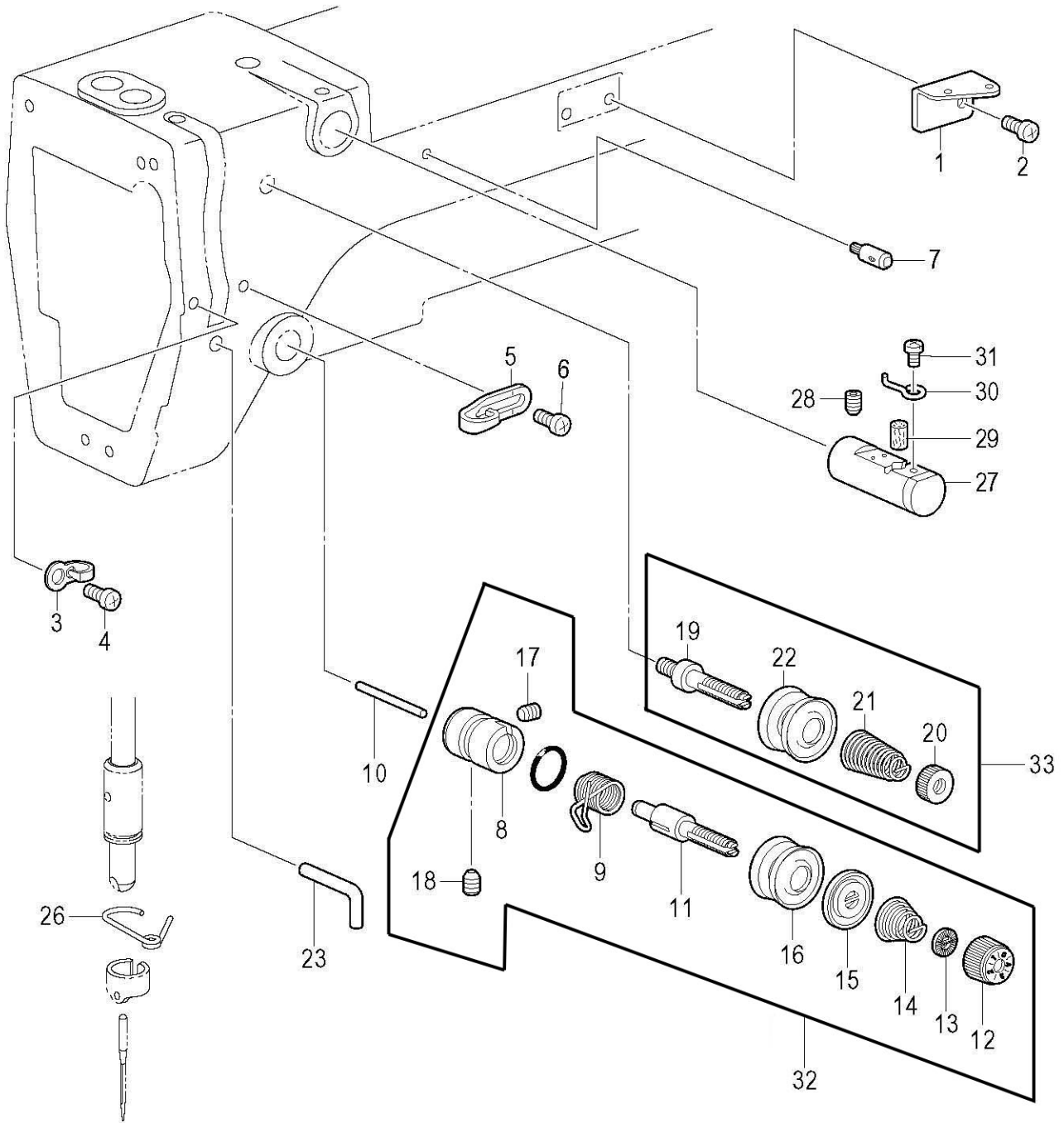




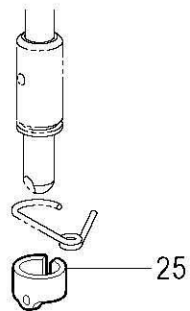
特种机系列>430系列> G. 供油润滑装置、Lubrication

序号NO	品号CODE	名称	NAME	数量
1	PF1310F01	螺钉	SET SCREW	1
2	PF430G02	曲柄盖	CRANK COVER	1
3	PF8420M-D30846	螺钉M6X10	SCREW, PAN M6X10	3
4	PF1310F07	油毡	FELT	1
5	PF1310F08	下轴给油支架	LOWER SHAFT WICK SUPPORT	1
6	PF1310F09	下轴齿轮油毡	LOWER SHAFT GEAR FELT	1
7	PF1310D239	螺钉M4X6	SCREW, PAN M4X6	2
8	PF430GG08	油线夹A	CORD HOLDER, A	1
9	PF1310F33	螺钉M6X8	SCREW, PAN M6X8	1
10	PF430GG10	油管夹	OIL TUBE SUPPORT	1
11	PF1310F33	螺钉M4X6	SCREW, PAN M4X6	1
12	PF430GG1201	油视窗	OIL GAUGE WINDOW	1
13	PF1310G13	油毡	FELT	1
14	SCJ5009	油管L=320	OIL TUBE, L=320	2
15	SCJ5009	油管L=225	OIL TUBE (L=225)	1
16	PF5550833	油线L=300	WICK, L=300	1
17	PF5550833	油线L=500	WICK L=500	1
18	SCJ5010	维尼龙管	VINYL TUBE	1
19	SCJ5010	油管	OIL TUBE	1
20	PF55500833	油毡L=360	FELT, L=360	1
21	SCJ5009	油管	OIL TUBE	1
22	PF430GG22	油毡	X-FEED LEVER FELT	1
23	PF430GG23	油管S	OIL FEEDING PIPE, S	3
24	PF430GG24	橡皮塞	CORD BUSH	1
25	PF1310F30	齿轮供油支架	GEAR WICK SUPPORT	1
26	PF1310F31	油毡	GEAR FELT	1
27	PF430GF27	电线夹B	CORD HOLDER, B	1
28	PF1310F33	螺钉M6X8	SCREW, PAN M6X8	1
29	PF430GF29	油毡	FELT	1
30	PF1310E23	油毡	S-RACE BASE FELT	4

H. 穿线装置 / Threading mechanism

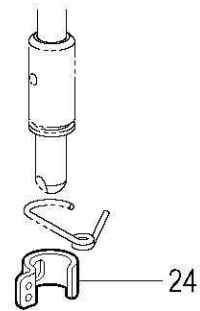


< 用于 430D 劳动布 / For 430D Denim >



< 用于 430D 普通织物、针织物、女式内衣 / For 430D Ordinary materials, Knitted materials & Foundation garments >

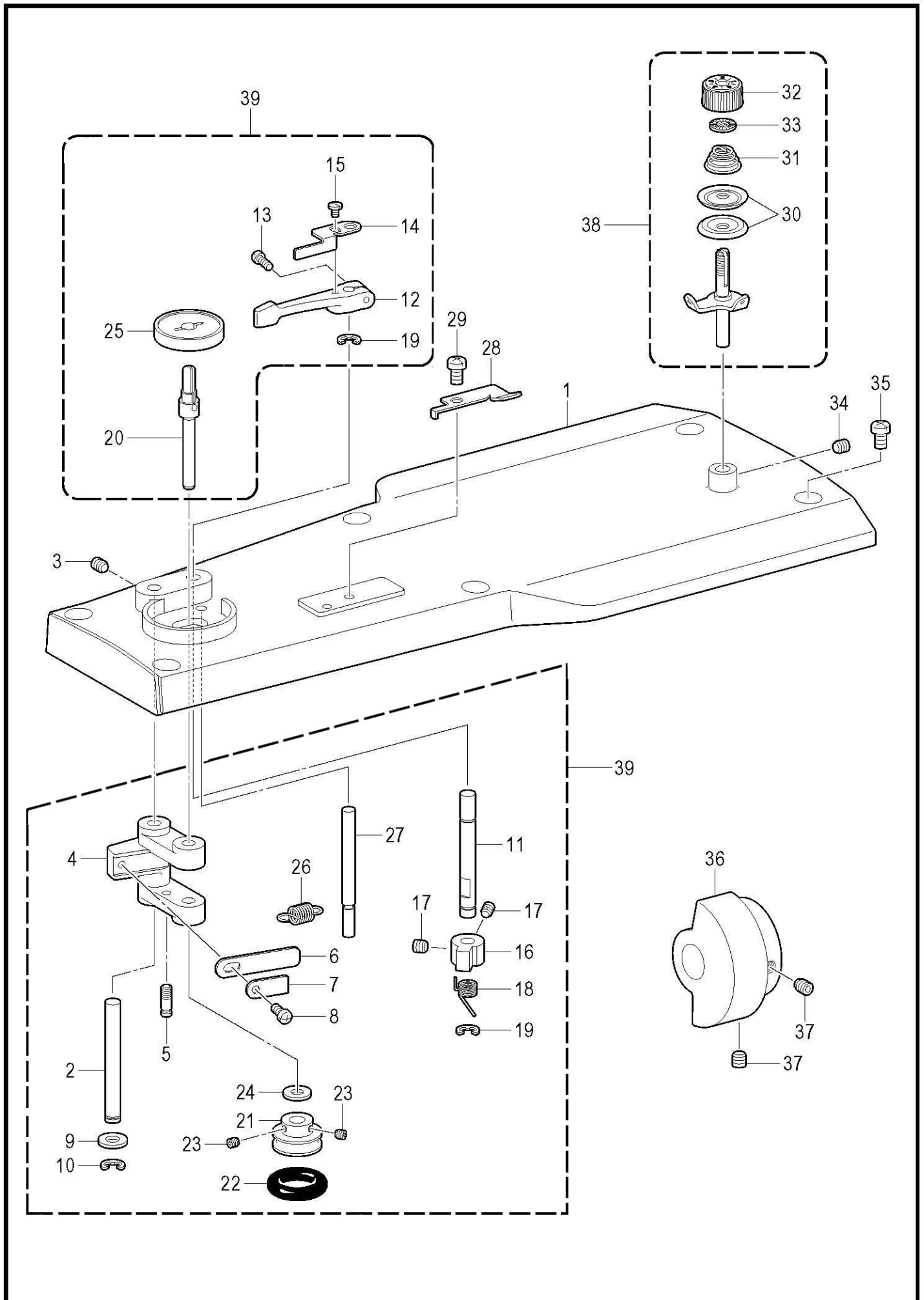
< 用于 438D / For 438D >



特种机系列>430系列> H. 穿线装置、Threading mechanism

序号NO	品号CODE	名称	NAME	数量
1	PF1310G01	过线导向A	ARM THREAD GUIDE, A	1
2	PF8420M-D3010112	螺钉M5X6	SCREW, PAN M5X6	1
3	PF1310G03	过线导向B	ARM THREAD GUIDE, B	1
4	PF8420M-D3010112	螺钉M5X6	SCREW, PAN M5X6	1
5	PF430GH05	过线导向C	ARM THREAD GUIDE, C	1
6	PF8420M-D3010112	螺钉M5X6	SCREW, PAN M5X6	1
7	PF1310G07	面线导向杆	UPPER THREAD GUIDE STUD	1
8	PF430GH08	夹线座	TENSION BRACKET	1
9	PF430GH09	挑线弹簧	THREAD TAKE-UP SPRING	1
10	PF1310G16	松线销	TENSION RELEASE PIN	1
11	PF430GH11	夹线杆轴	TENSION STUD	1
12	PF430GH12	压线螺母	TENSION NUT	1
13	PF430GH13	止动垫圈	WASHER	1
14	PF430GH14	弹簧	TENSION SPRING	1
15	PF430GH15	夹线压盘	TENSION DISC PRESSER	1
16	PF430GH16	夹线盘	DISC, TENSION SET SCREW,	2
17	PF430GH17	固定螺钉SM3. 57	SM3. 57	1
18	PF1310G15	螺钉M6X6	SET SCREW, (FT) M6X6	1
19	PF430GH19	夹线杆轴A	TENSION STUD, A	1
20	PF430GH20	夹线螺母	TENSION NUT	1
21	PF430GH21	弹簧	SUB TENSION SPRING	1
22	PF430GH22	夹线盘	DISC, TENSION	2
23	PF1310G19	线钩	THREAD GUIDE, ARM	1
24	PF430GH24	<用于430G 普通织物、针织>	<For <sup>M</sup> 430G <sup>M</sup> Ordinary materials. Knitte	1
25	PF1310G20	<用于430G劳动布> 针杆线	<For <sup>M</sup> 430G <sup>M</sup> Denim> NEEDLE BAR THREAD (	1
26	PF1310G21	针杆轴套线导向D	N-BAR BUSH THREAD GUIDE, D	1
27	PF1310G22	线冷却器组件	NEEDLE COOLER ASSY	1
28	PF1310B24	螺钉M6X6	SET SCREW, SOCKET (FT)M6X6	1
29	PF1310G24	油毡8X15. 5	FELT, 8X15. 5	1
30	PF1310G25	过线钩	NEEDLE COOLER THREAD GUIDE	1
31	PF1310G26	螺钉 SM3. 57-40X4	SCREW, PAN SM3. 57-40X4	1
32-1	PF1310G3101	夹线器厚料	TENSION ASSY	1
32-2	PF1310G3102	夹线器中厚料	TENSION ASSY	1
33	PF1310G32	小夹线器	TENSION ASSY	1

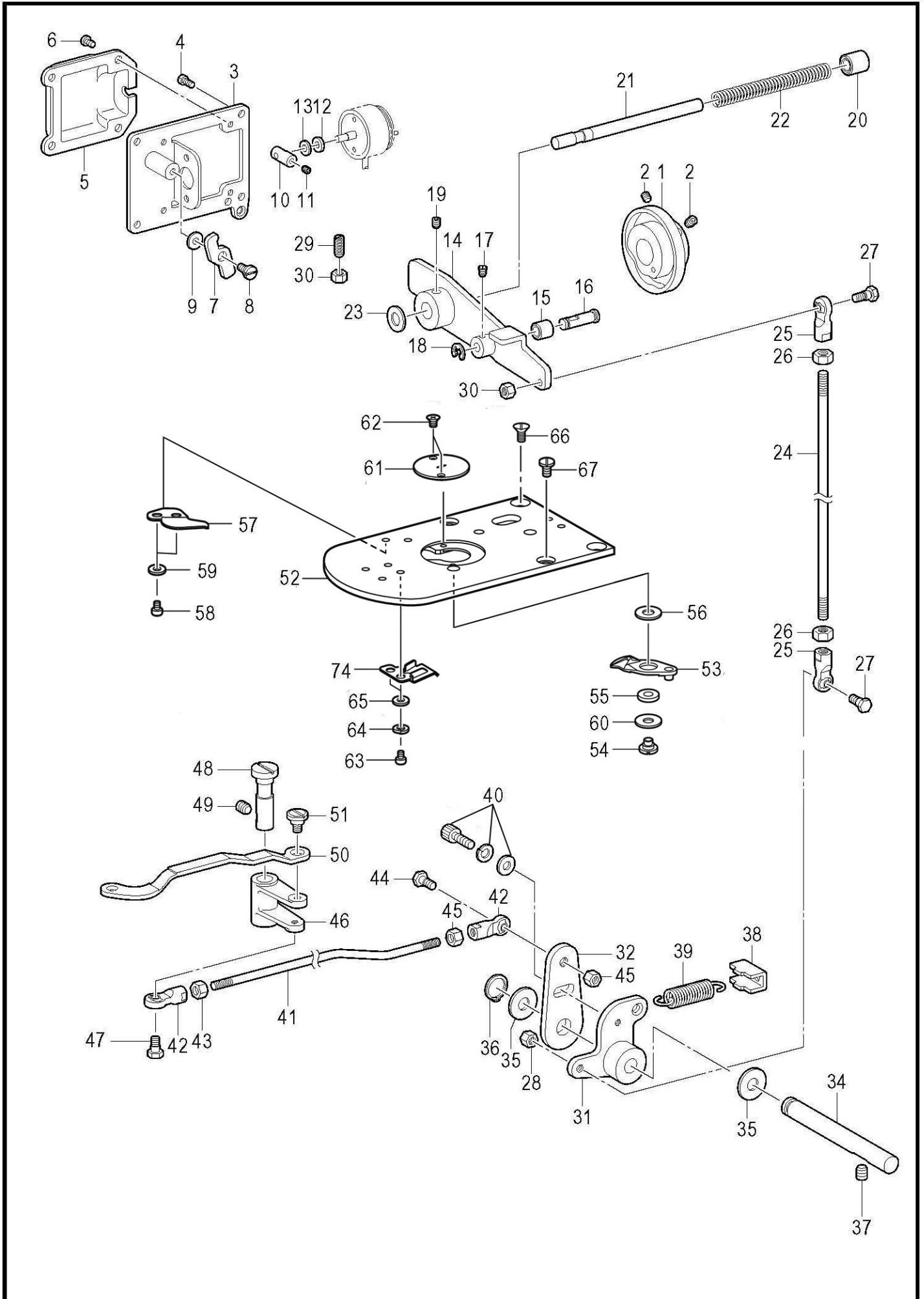
J. 卷线装置 / Bobbin winder mechanism



特种机系列>430系列> J. 卷线装置、Bobbin winder mechanism

序号NO	品号CODE	名称	NAME	数量
1	PF430GJ01	上盖	TOP COVER 430G	1
2	PF430GJ02	卷线手柄轴	SHAFT, BW-LEVER	1
3	BF310164514	螺钉M5X5	SET SCREW, SOCKET (FT) M5X5	1
4	PF430GJ04	卷线手柄	BOBBIN WINDER LEVER	1
5	PF430GJ05	弹簧挂钩	SPRING HOOK	1
6	PF430GJ06	板弹簧	PLATE SPRING	1
7	PF430GJ07	垫圈	WASHER	1
8	PF430GJ08	螺钉M3.5X6	SCREW, PAN M3.5X6	1
9	PF430GJ09	垫圈	WASHER	1
10	PF430GJ10	挡圈E5	RETAINING RING, E5	1
11	PF430GJ11	卷线卡爪轴	STUD, B-WINDER CLAW	1
12	PF430GJ12	梭芯压臂柄	BOBBIN PRESSER ARM	1
13	PF430GJ13	螺钉M4X12	SCREW, PAN M4X12	1
14	PF430GJ14	梭芯压杆	BOBBIN PRESSER	1
15	PF430GJ15	螺钉M4X5	SCREW, M4X5	1
16	PF430GJ16	卷线卡爪	CLAW, B-WINDER	1
17	PF1310D125	螺钉M4X4	SET SCREW, SOCKET (FT) M4X4	2
18	PF430GJ18	弹簧	SPRING, TWIST	1
19	PF430GJ19	挡圈E5	RETAINING RING, E5	2
20	PF430GJ20	卷线轴	BOBBIN WINDER SHAFT	1
21	PF430GJ21	卷线器	WHEEL, B-WINDER	1
22	PF430GJ22	橡皮圈	BOBBIN WINDER RUBBER BAND	1
23	PF1310D125	螺钉M4X4	SET SCREW, SOCKET (FT) M4X4	2
24	PF430GJ24	垫圈	WASHER	2
25	PF430GJ25	梭芯座	BOBBIN SUPPORT	1
26	PF430GJ26	拉簧	SPRING	1
27	PF430GJ27	止动轴	STPPER SHAFT, B-WINDER	1
28	PF1310H29	切刀	KNIFE	1
29	PF8420M-D3010112	螺钉M5X6	SCREW, PAN M5X6	1
30	PF430GJ30	夹线盘	DISC, TENSION	2
31	PF430GJ31	夹线弹簧	TENSION SPRING	1
32	PF430GJ32	压线螺母	TENSION NUT	1
33	PF430GJ33	止动垫圈	WASHER	1
34	BF310164514	螺钉M5X5	SET SCREW, SOCKET (FT) M5X5	1
35	PF8420M-D30846	螺钉M6X10	SCREW, PAN M6X10	6
36	PF430GJ36	卷线驱动轮	DRIVINNG WHEEL, B-WINDER	1
37	PF430GJ37	固定螺钉M6X6	SET SCREW, SOCKET (FT) M6X6	2
38	PF1310H31	卷线器夹线组件	BOBBIN WINDER TENSION ASSY	1
39	PF1310H4001	卷线器组件	WHEEL B-WENDER ASSY	1

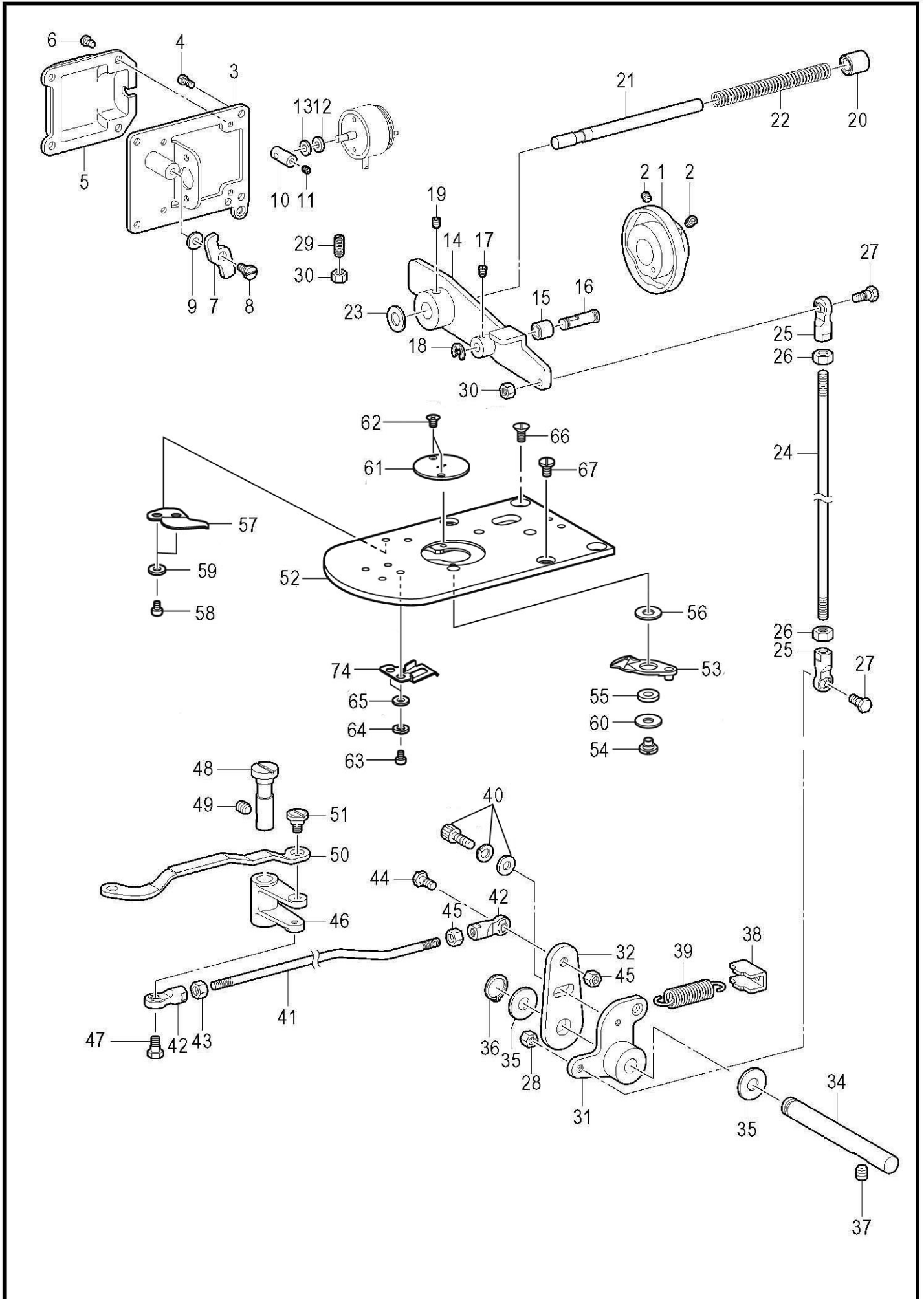
K. 切线装置 / Thread trimmer mechanism



特种机系列>430系列> K. 切线装置、Thread trimmer mechanism

序号NO	品号CODE	名称	NAME	数量
1	PF1310J01	切线凸轮	THREAD TRIMMER CAM	1
2	SCJ2079	固定螺钉M6X6	SET SCREW, SOCKET (FT) M6X6	2
3	PF430GK03	电磁铁安装板	SETTING PLATE , SOLENOID	1
4	PF1310B22	螺钉M4X8	SCREW, PAN M4X8	4
5	PF430GK05	电磁铁盖	TR-SOLENOID COVER	1
6	PF1310K21	螺钉M4X5	SCREW, BIND M4X5 PUSHING LEVER	4
7	PF430GK07	驱动杆压杆	DRIVING LEVER	1
8	PF1310A26	段螺钉7-3	SHOULDER SCREW, 7-3	1
9	PF430GK09	垫圈	WASHER	1
10	PF1310J08	电磁铁杆	SOLENOID LEVER	1
11	PF1310D125	螺钉M4X4	SET SCREW, SOCKET (FT) M4X4	1
12	PF1310J10	电磁铁缓冲垫圈	SOLENOID CUSHION	1
13	PF1310J11	垫圈	WASHER	1
14	PF1310J16	切线驱动杆	TR-DRIVING LEVER	1
15	PF1310J17	切线滚轮	COLLAR, TR-TRIMMER	1
16	PF1310J18	切线滚轮轴	COLLAR SHAFT	1
17	PF1310D125	螺钉M4X4	SET SCREW, SOCKET (FT) M4X4	1
18	SCJ1004	挡圈E4	RETAINING RING, E4	1
19	SCJ2079	固定螺钉M6X6	SET SCREW, SOCKET (FT) M6X6	1
20	PF1310J27	轴套8X15	BUSH, 8X15	1
21	PF1310J28	驱动杆导向轴	GUIDE SHAFT	1
22	PF1310J29	弹簧	SPRING, COMPRESSION	1
23	PF1310J30	减震垫圈	CUSHION	1
24	PF1310J21	切线杆V	THREAD TRIMMER ROD V	1
25	PF1310J22	接头组件	BALL JOINT ASSY	2
26	PF19000120	螺母M6	NUT, 1 M6	2
27	PF1310D144	段螺钉B M6	SHOULDER SCREW, B ;M6	2
28	PF19000120	螺母M6	NUT, 1 M6	1
29	PF1310J33	螺钉M6X19	SET SCREW, M6X19	1
30	PF19000120	螺母M6	NUT, 1 M6	2
31	PF1310J21	切线杠杆V	THREAD TRIMMER LEVER V	1
32	PF1310J22	切线杠杆H	THREAD TRIMMER LEVER H	1
34	PF1310J42	切线杠杆轴	SHAFT, TR-TRIMMER LEVER	1
35	PF1310J43	垫片	SPECER	2
36	SCJ1015	轴用挡圈C8	RETAINING RING EXTERNAL C8	1
37	PF1310B24	螺钉M6X6	SET SCREW, SOCKET (FT) M6X6	2
38	PF1310J46	弹簧挂钩	SPRING HOOK	1
39	PF430GK39	切线复位弹簧	SPRING, EXTENSION	1
40	PF1310B03	螺栓M5X12	BOLT, SOCKET M5X12	1
41	PF430GK41	切线杆H	THREAD TRIMMER ROD H	1
42	PF1310J22	接头组件	BALL JOINT ASSY	2
43	PF19000120	螺母M6	NUT, 1 M6	1
44	PF1310D144	段螺钉B M6	SHOULDER SCREW, B ;M6	1
45	PF19000120	六角螺母M6	NUT, 3 M6	2
46	PF1310J51	动刀曲柄	MOVING KNIFE LEVER	1
47	PF1310J52	段螺钉6. 35-6	SHOULDER SCREW, 6. 35-6	1
48	PF430GK48	动刀曲柄轴	SHAFT, M-KNIFE LEVER	1
49	PF1310B24	螺钉M6X6	SET SCREW, SOCKET (FT) M6X6	1
50	PF1310J55	动刀连杆	M-KNIFE CONNECTING PLATE	1
51	PF1310J56	段螺钉6-1. 8	SHOULDER SCREW , 6-1. 8	1
52-1	PF430GK5201	针板组件2. 2	NEEDLE PLATE, SC	1
52-2	PF430GK5202	针板组件2. 4	NEEDLE PLATE, SC	1
52-3	PF430GK5203	短线头针板组件2. 2	NEEDLE PLATE, SC	1
53	PF430GK5301	动刀	MOVING KNIFE	1
54	PF430GK54	段螺钉	MOVABLE KNIFE SHOULDER SCREW	1
55	PF430GK55	动刀套圈	MOVING KNIFE COLLAR	1
56	PF430GK56	垫片	M-KNIFE SPACER	1
57	PF430GK5701	定刀	FIXED KNIFE	1
58	PF430GK58	螺钉M3X4	SCREW PAN M3X4	2

K. 切线装置 / Thread trimmer mechanism

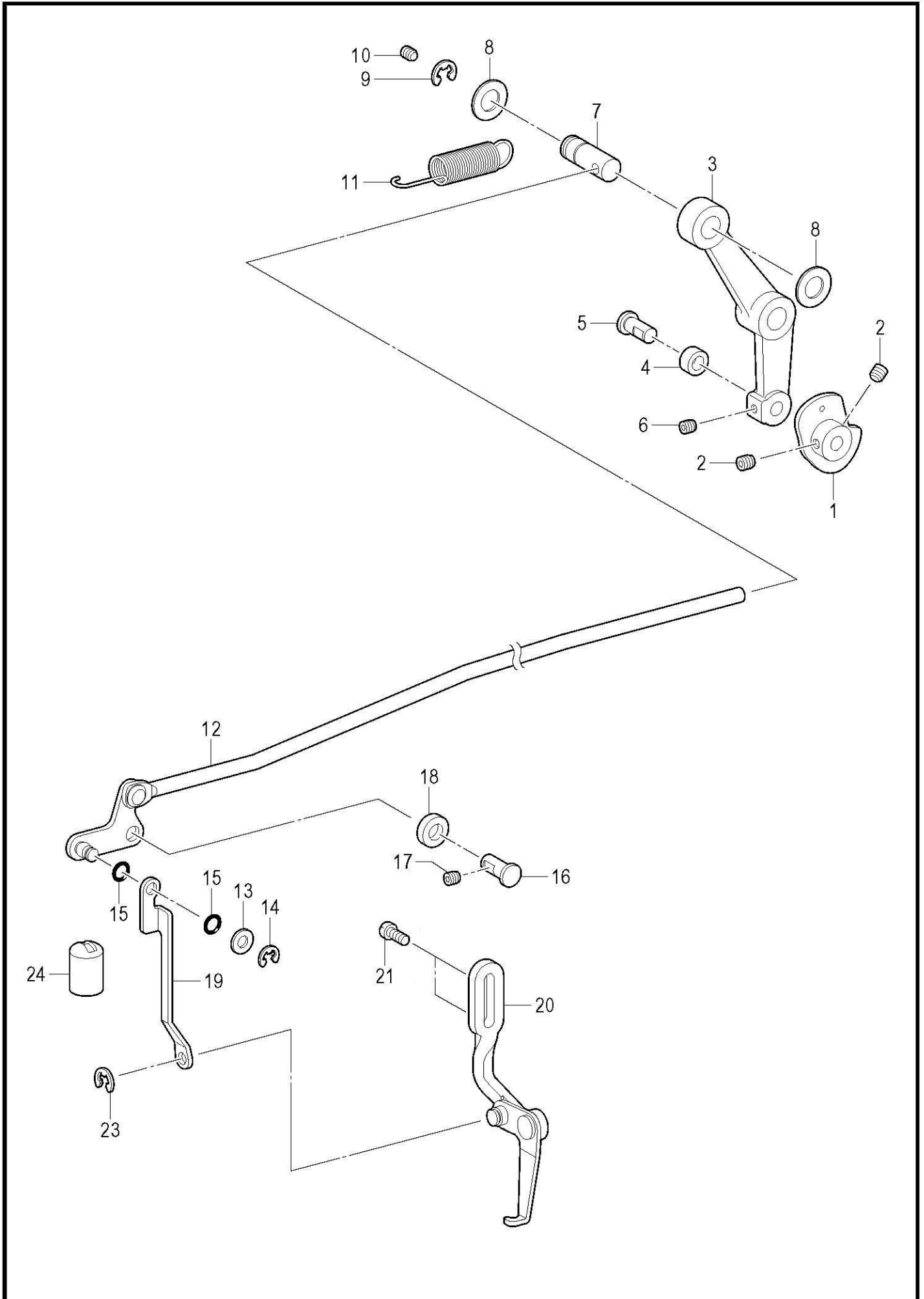




特种机系列>430系列> K. 切线装置、Thread trimmer mechanism

59	PF430GK59	弹簧垫圈2-3	WASHER SPRING 2-3	2
60	PF430GK60	平垫圈	WASHER, PLAIN	1
61-1	PF430GK6101	针板孔2.2	NEEDLE HOLE PLATE 2.2	1
61-2	PF430GK6102	针板孔2.4	NEEDLE HOLE PLATE 2.4	1
61-3	PF438GK6103	针板孔1.6	NEEDLE HOLE PLATE 1.6	1
62	PF438GK62	螺钉 SM2.38	SCREW SM2.38	2
63	PF438GK63	螺钉	SCREW	2
64	PF438GK64	弹簧垫圈	WASHER SPRING	2
65	PF438GK65	平垫圈	WASHER, PLAIN	2
66	PF1310D137	螺钉 M4	SCREW FLAT M4	2
67	PF1310J69	螺钉M4X8	SCREW M4X8	2
74	PF430GK74	底线压簧	BOBBIN THREAD CLAMP SPRING	1

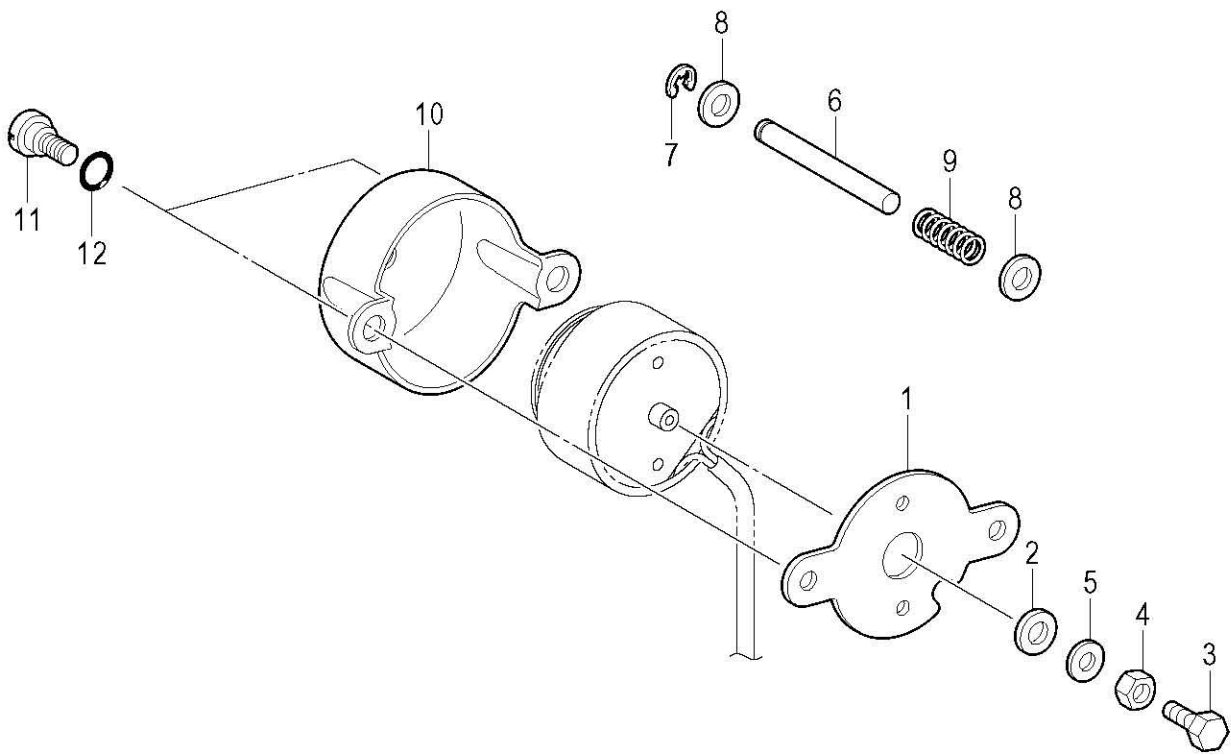
L. 扫线装置 / Thread wiper mechanism



特种机系列>430系列> L. 扫线装置、Thread wiper mechanism

序号NO	品号CODE	名称	NAME	数量
1	PF430GL01	扫线凸轮	THREAD WIPER CAM	1
2	PF1310B24	螺钉 <b>M6X6</b>	SET SCREW, SOCKET (FT) M6X6	2
3	PF430GL03	扫线驱动曲柄	DRIVING LEVER, ;THREAD WIPER	1
4	PF430GL04	扫线滚轮	THREAD WIPER ROLLER	1
5	PF1310D243	抬压滚轮轴	W-CLAMP LIFTER ROLLER SHAFT	1
6	BF310164514	螺钉 <b>M5X5</b>	SET SCREW, SOCKET (FT) M5X5	1
7	PF430GL07	扫线杆轴	THREAD WIPER ROD SHAFT	1
8	PF1310C126	平垫圈 <b>10</b>	WASHER, PLAIN 10	2
9	SCJ1013	挡圈 <b>E8</b>	RETAINING RING, E8	1
10	BF310164514	螺钉 <b>M5X5</b>	SET SCREW, SOCKET (FT) M5X5	1
11	PF430GD36	弹簧	SPRING	1
12	PF430GL12	扫线杆组件	THREAD WIPER ROD ASSY	1
13	PF7810749	平垫圈 <b>S5</b>	WASHER, PLAIN S 5	1
14	SCJ1004	挡圈 <b>E4</b>	RETAINING RING, E4	1
15	PF430GL15	O形圈 <b>P5</b>	O RING, P5	2
16	PF1310D243	抬压滚轮轴	W-CLAMP LIFTER ROLLER SHAFT	1
17	BF310164514	螺钉 <b>M5X5</b>	SET SCREW, SOCKET (FT) M5X5	1
18	PF430GL18	定位圈 <b>13</b>	COLLAR, 13	1
19	PF430GL19	扫线连接板	CONNECTING PLATE	1
20	PF430GL20	扫线臂组件	THREAD WIPER ARM ASSY	1
21	PF1310A24	螺钉 <b>M4X10</b>	SCREW, PAN M4X10	2
23	SCJ1004	挡圈 <b>E4</b>	RETAINING RING, E4 0.8厚	1
24	PF430GL24	油塞	OIL CAP	1

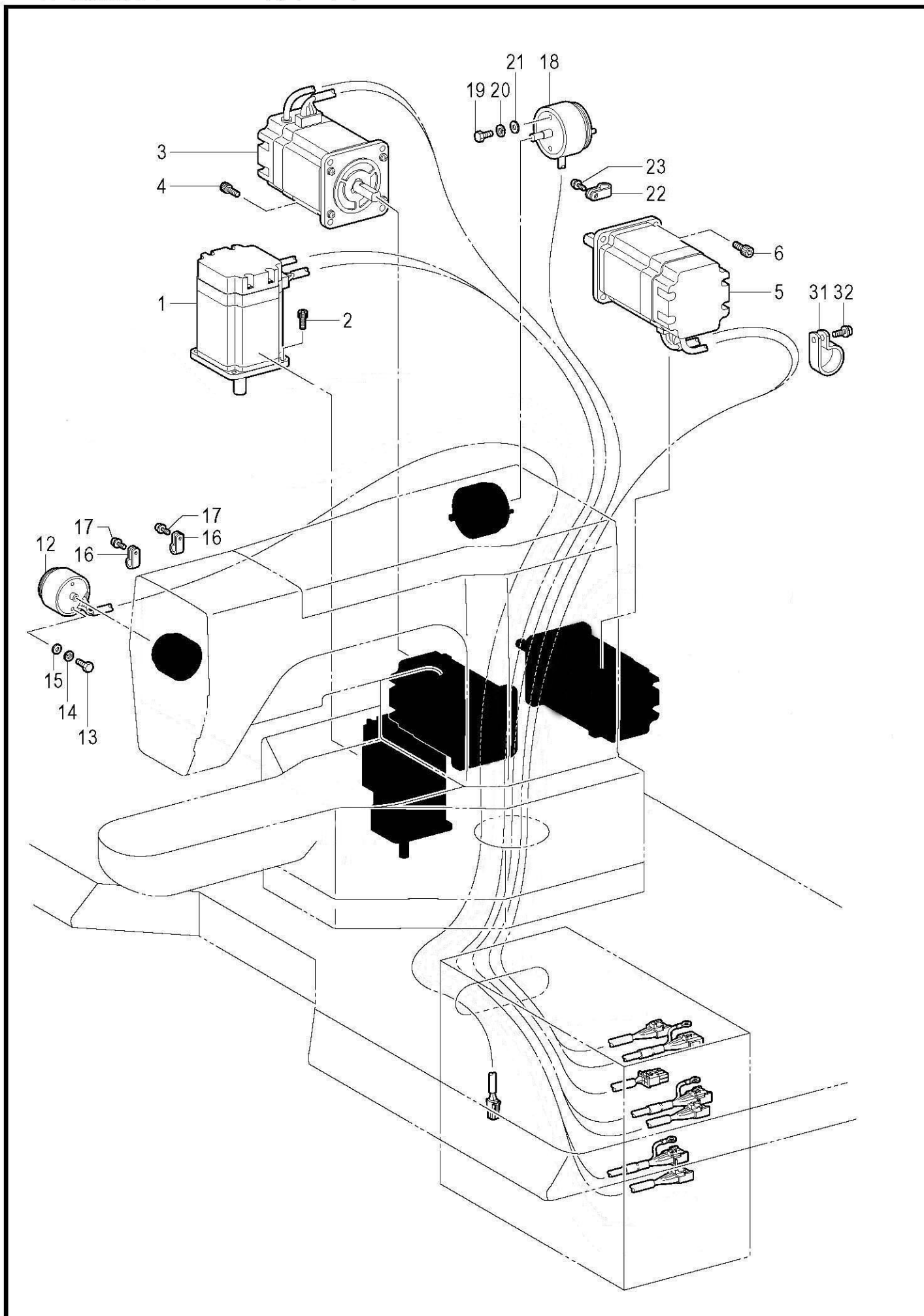
M. 系统装置 / Tension release mechanism



特种机系列>430系列> M. 松线装置、Tension release mechanism

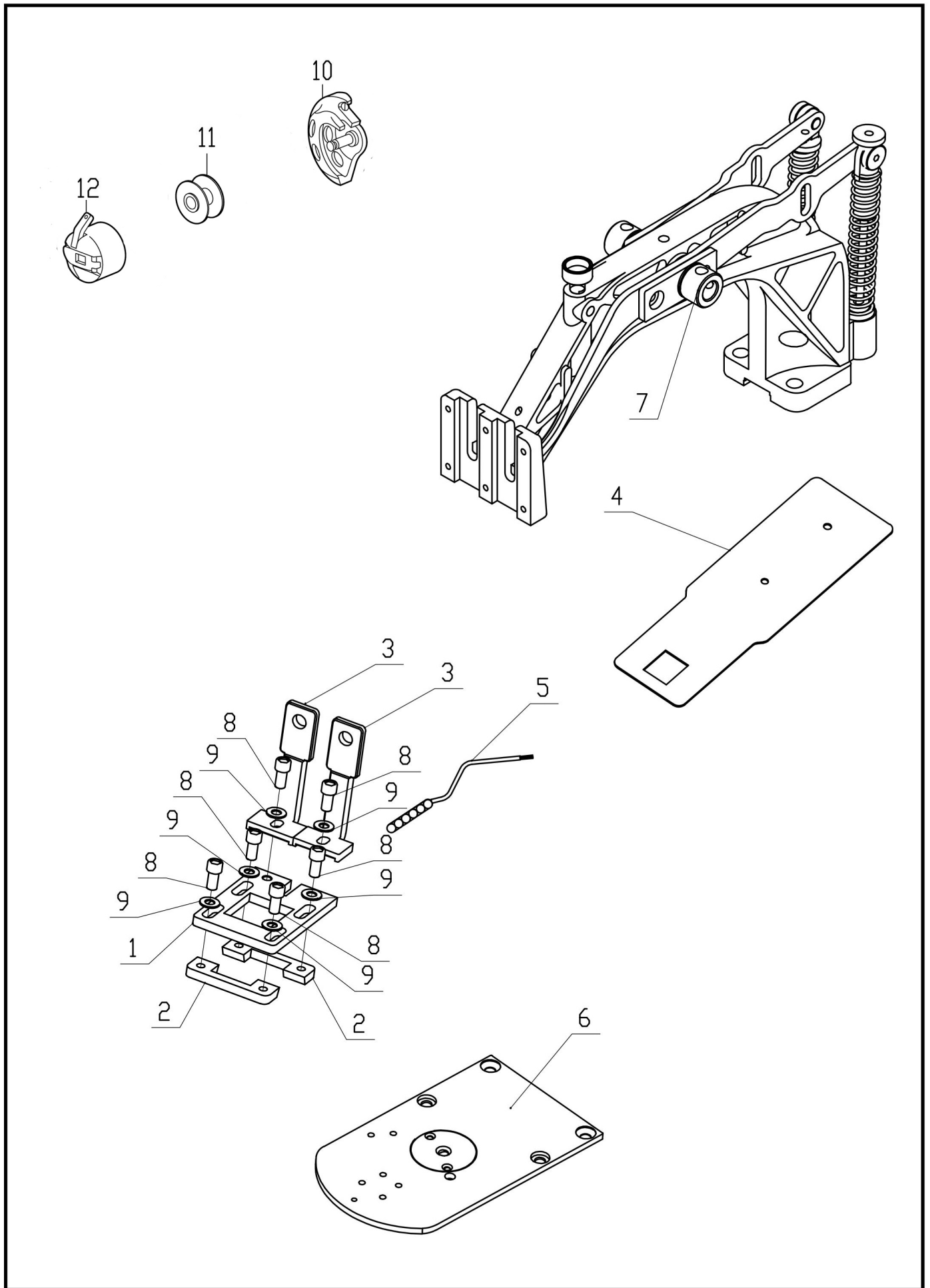
序号NO	品号CODE	名称	NAME	数量
1	PF1310L09	电磁铁安装板	SETTING PLATE, SOLENOID	1
2	PF1310J10	电磁铁缓冲垫圈	SOLENOID CUSHION	1
3	PF1310L05	螺栓 <b>M4X10</b>	BOLT, M4X10	1
4	PF1310L06	六角螺母 <b>M4</b>	NUT, 3 M4	1
5	PF1310L07	垫圈 <b>4</b>	WASHER	1
6	PF1310L11	松线杆	TENSION RELEASE BAR	1
7	SCJ1004	挡圈 <b>E4</b>	RETAINING RING, E4	1
8	PF1310C124	平垫圈 <b>M5</b>	WASHER, PLAIN M 5	2
9	PF1310L14	弹簧	SPRING, COMPRESSION	1
10	PF430GM10	电磁铁盖	SOLENOID COVER	1
11	PF1310A26	段螺钉 <b>7-3</b>	SHOULDER SCREW, 7-3	2
12	PF1310L17	O形圈 <b>P7</b>	O RING P7	2

R. 电气部品装置 / Power supply equipment mechanism



特种机系列>430系列> R. 电器部件装置、Power suupply equipment mechanism

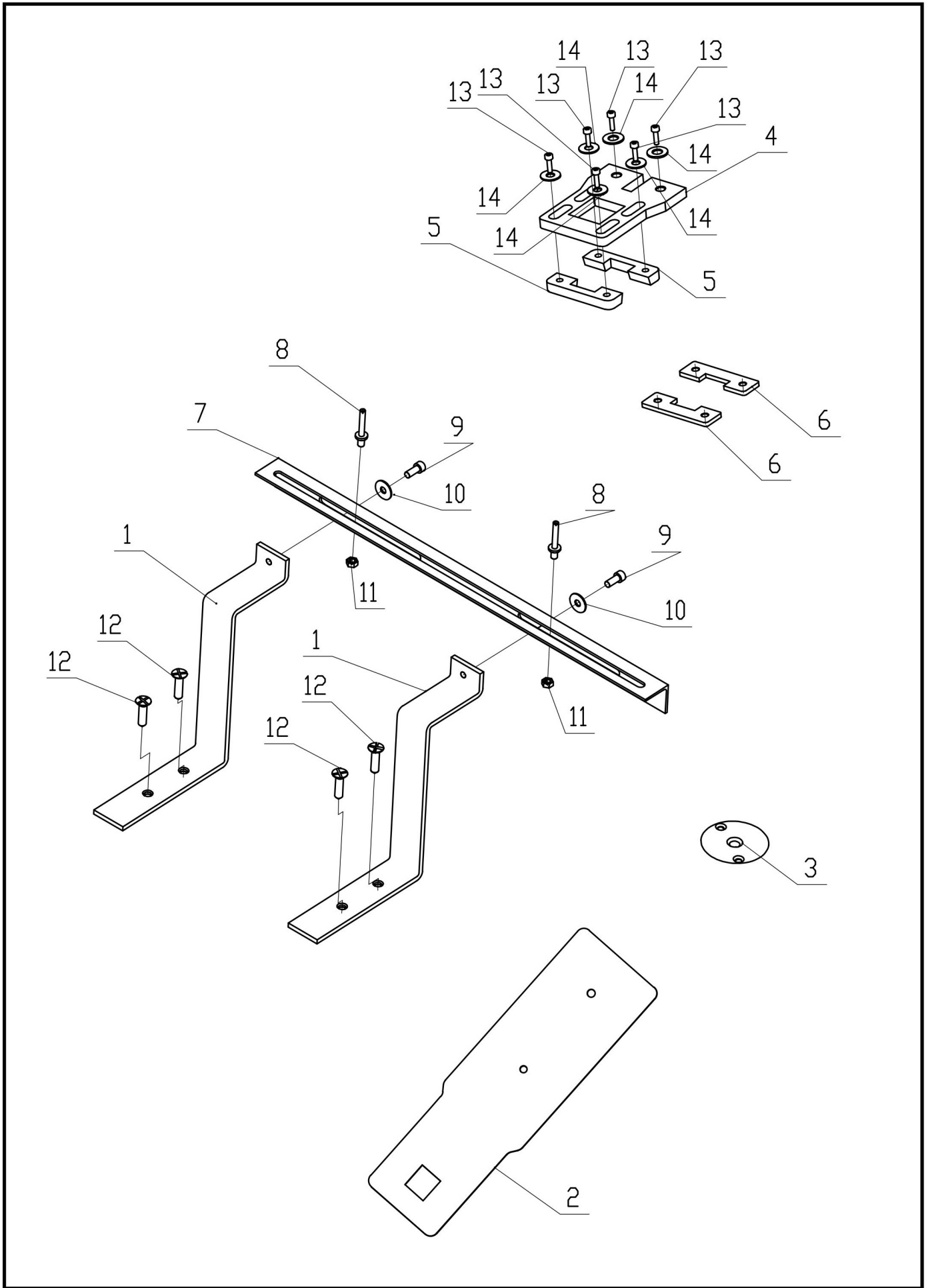
序号NO	品号CODE	名称	NAME	数量
1	PF430GR01	脉冲马达组件X	PULSE MOTOR ASSY, X	1
2	PF1310C252	螺栓M4X10	BOLT, SOCKET M4X10	4
3	PF430GR03	脉冲马达组件Y	PULSE MOTOR ASSY, Y	1
4	PF1310C110	螺栓M4X8	BOLT, SOCKET M4X8	4
5	PF430GR05	脉冲马达组件P	PULSE MOTOR ASSY, P	1
6	PF1310C252	螺栓M4X10	BOLT, SOCKET M4X10	4
12	PF430GR11	松线电磁铁组件	TENSION RELEASE SOLENOID, ASSY	1
13	PF1310J05	螺栓M4X8	BOLT, M4X8	2
14	PF430GR14	弹簧垫圈2-4	WASHER, SPRING 2-4	2
15	PF1310C136	平垫圈M4	WASHER, PLAIN M4	2
16	SCJ5033	压线板	CORD HOLDER, 4N	2
17	PF1310C233	螺栓（带垫圈）M4X10DB	SCREW, PAN (S/P WASHER) M4X10	2
18	PF430GR18	切线电磁铁组件	THREAD TRIMMER SOLENOID, ASSY	1
19	PF1310J05	螺栓M4X8	BOLT, M4X8	2
20	PF430GR20	弹簧垫圈2-4	WASHER, SPRING 2-4	2
21	PF1310C136	平垫圈M4	WASHER, PLAIN M4	2
22	SCJ5035	尼龙线夹6N	CORD HOLDER, 6N	1
23	PF1310C233	螺栓（带垫圈）M4X10DB	SCREW, PAN (S/P WASHER) M4X10	2
31	SCJ5048	电线夹	CORD HOLDER,	1
32	PF1310C233	螺栓（带垫圈）M4X10DB	SCREW, PAN (S/P WASHER) M4X10	2





特种机系列>430系列> Y1. 渔网专用件装置、Fishing net mechanism

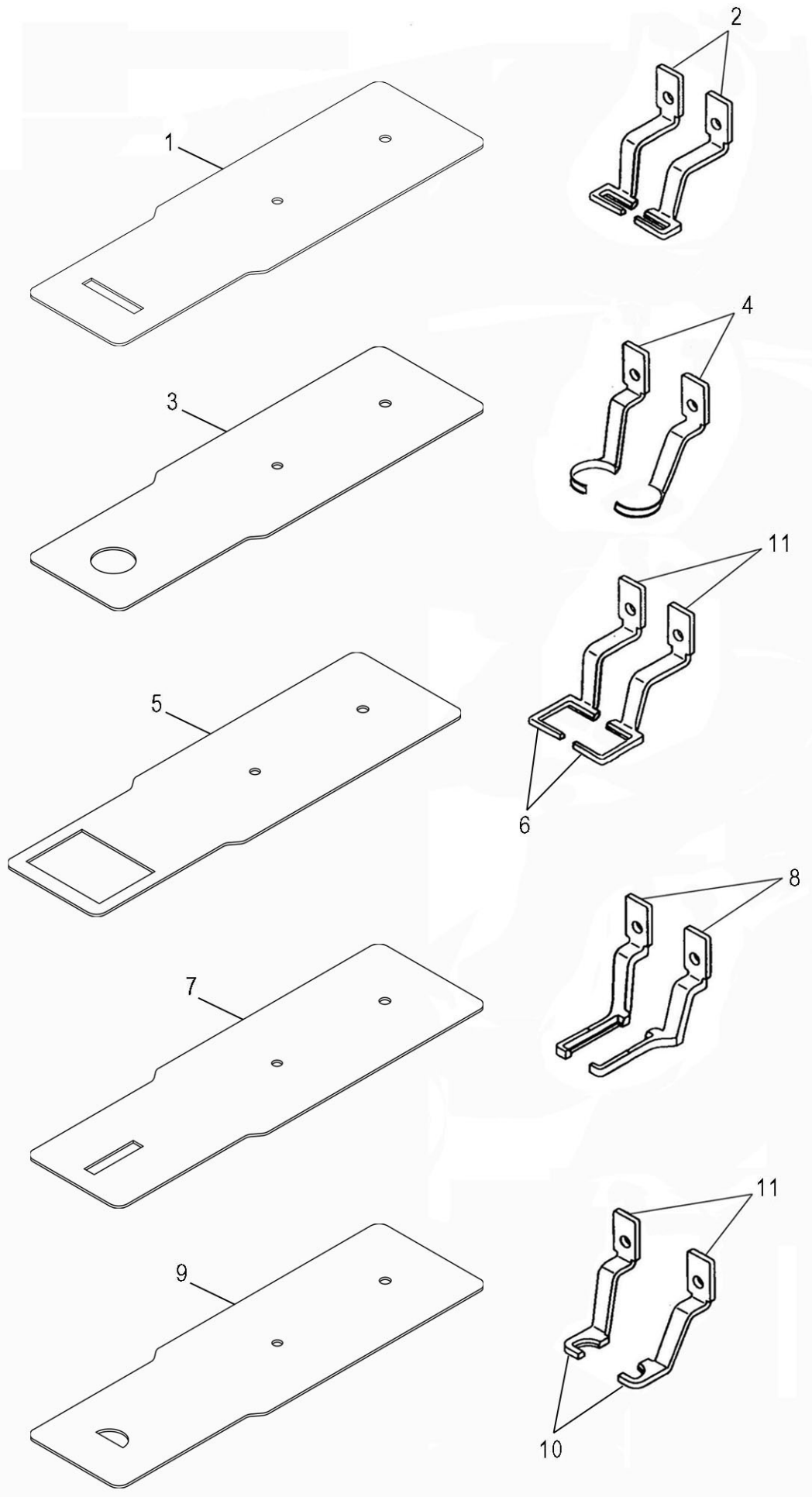
序号NO	品号CODE	名称	NAME	数量
1	PF430GY01	20X22压脚板	20X22 WORK CLAMP	1
2	PF430GY0501	大压脚垫X	BIG WORK CLAMP	2
3	PF430GC6906	压脚杆	WORK CLAMP	2
4	PF430GC2806	20X22拖布板	20X22 FEED CLAMP	1
5	PF19042634	24V灯	LIGHT	1
6	PF1310J5703	针板组件3.0 (渔网机专用)	M-KNIFE SPACER SDDY 3.0	1
7	PF430GC3803	压脚组件D	WORK CLAMP ARM	1
8	PF1310C110	螺栓M4X8	BOLT, SOCKET M4X8	6
9	PF1310C136	平垫圈 M4	WASHER PLAIN M4	6
10	PF430GF4803	中旋梭组件 渔网机	SHUTTLE HOOK ASSY, W/BOX	1
11	PF1310E39	梭芯	BOBBIN	3
12	PF430GF4101	梭芯套组件 渔网机	BOBBIN CASE ASSY	1



特种机系列>430系列> Y. 渔网机附件、Fishing net accessories

序号NO	品号CODE	名称	NAME	数量
1	PF430GY03	横杠	WHIEELETREE	2
2	PF430GC2805	11X15送料板	11X15 FEED PLATE	1
3	PF1310J6603	针板孔 2.4(渔网机专用)	NEEDLE HOLE PLATE 2.4	1
4	PF430GY02	15X16压脚板	15X16 WORK CLAMP	1
5	PF430GY0601	中压脚垫X	MIDDLE FOOT	2
6	PF430GY0701	小压脚垫X	SMALL FOOT	2
7	PF430GY04	支架	HOLDER	2
8	PF430GY08	螺钉	SCREW	2
9	PF1310J48	螺钉M5X12	BOLT SOCKET M5X12	2
10	PF1310D109	垫圈	WASHER	2
11	PF8420M-D30534	螺钉4.76	SCREW 4.76	2
12	SCJ2105	木螺钉	WOOD SCREW	4
13	PF1310C105	螺栓 M3×6	BOLT SOCKET M3×6	6
14	PF1310R91	平垫圈 M3	WASHER PLAIN M3	6

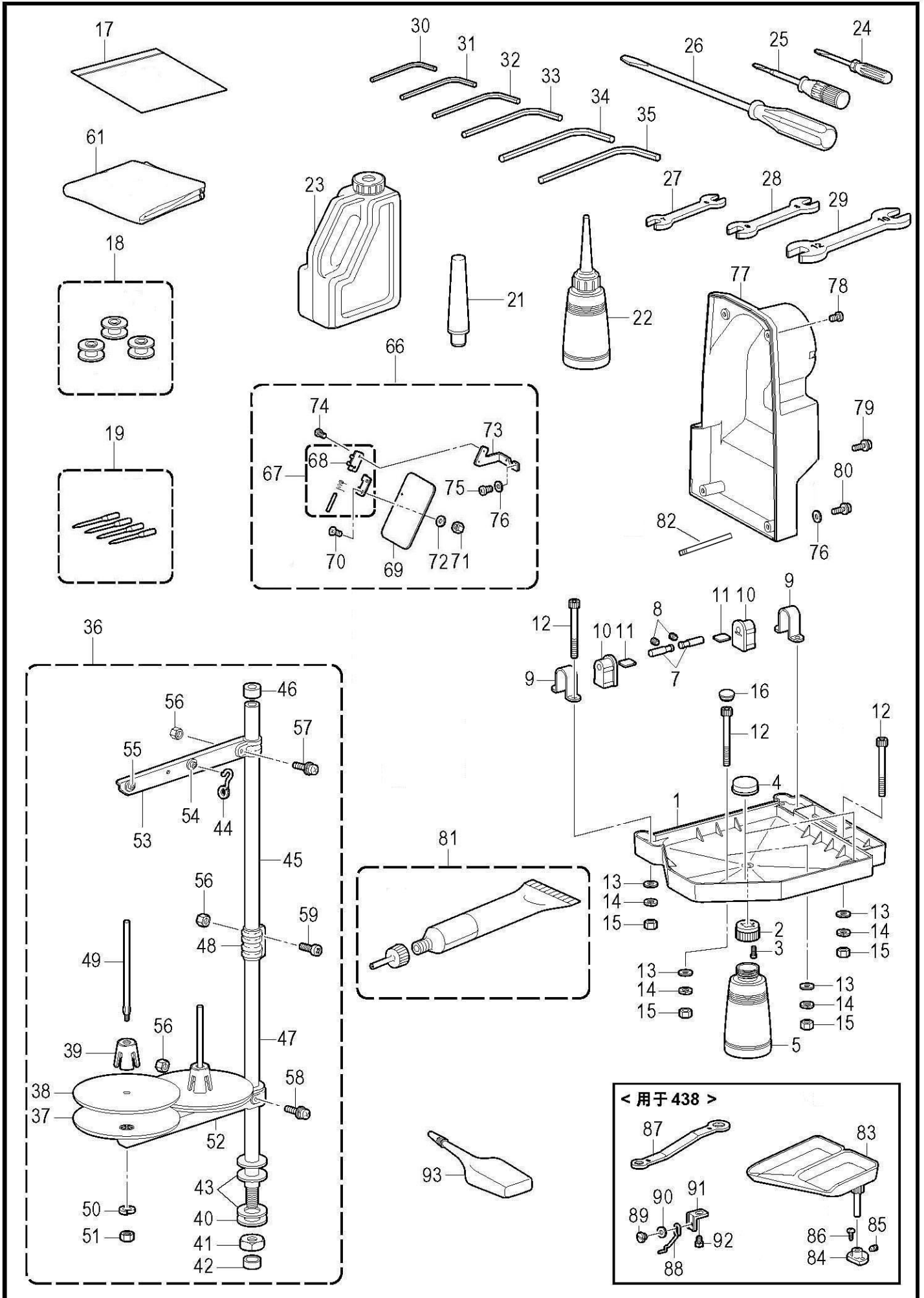
V2. 不同规格零部件一览表 / Different parts list



特种机系列>430系列> V2. 不同规格零部件一览表、Different parts list

序号NO	品号CODE	名称	NAME	数量
1	PF430GC2812	送料板 30mm	FEED PLATE	1
2	PF430GC6808	左右压脚 30mm	WORK CLAMP	1
3	PF430GC2811	送料板 帽眼	FEED PLATE	1
4	PF430GC6811	左右压脚 帽眼	WORK CLAMP	1
5	PF430GC2804	送料板 40x30mm	FEED PLATE	1
6	PF430GC6804	左右压脚 40x30mm	WORK CLAMP	1
7	PF430GC2814	送料板 纵向	FEED PLATE	1
8	PF430GC6813	左右压脚 纵向	WORK CLAMP	1
9	PF430GC2813	送料板 半圆	FEED PLATE	1
10	PF430GC6812	左右压脚 半圆	WORK CLAMP	1
11	PF430GC690601	压脚杆	WORK CLAMP	2

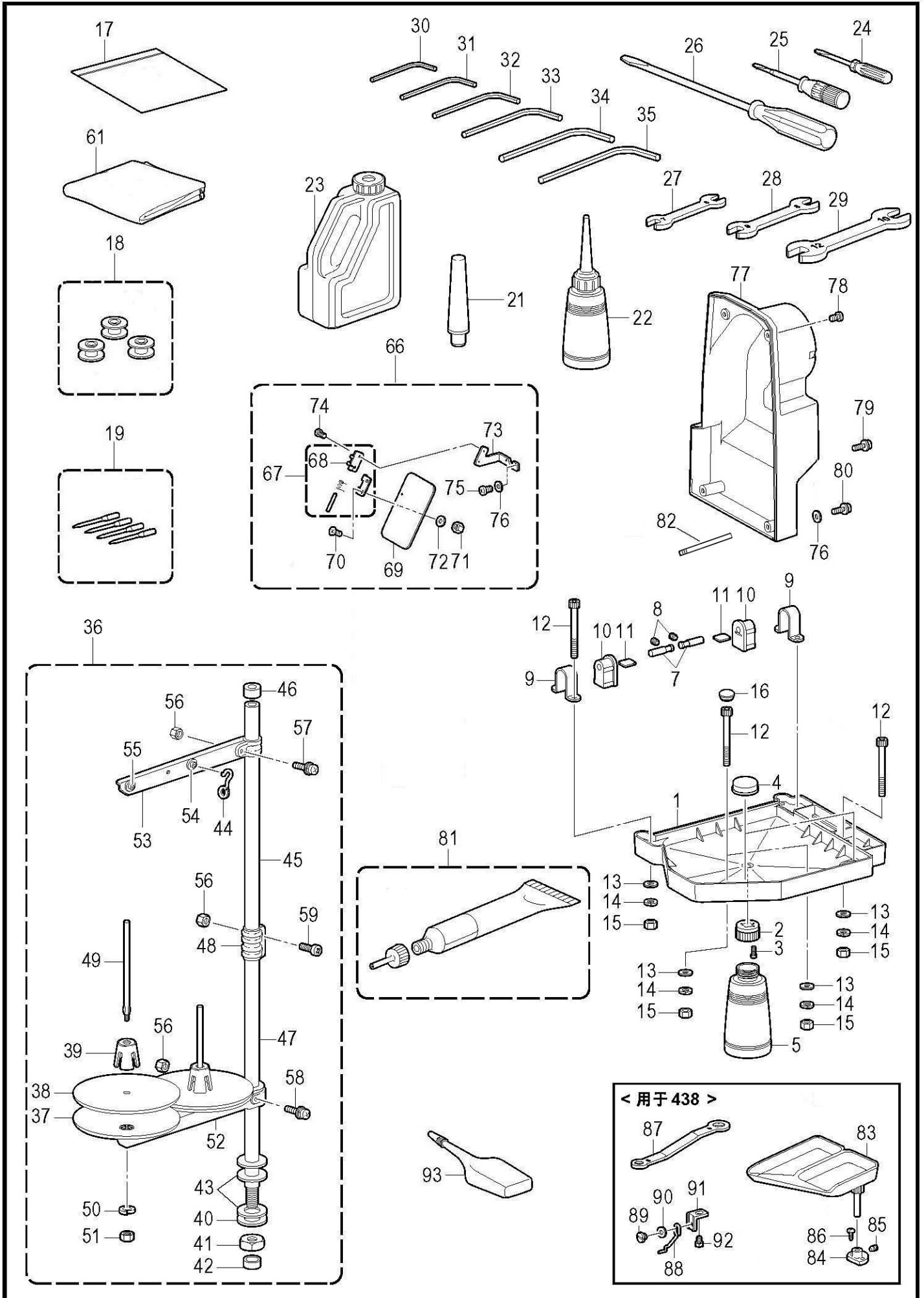
Z. 附件 / Accessories



特种机系列>430系列> Z. 附件、Accessories

序号NO	品号CODE	名称	NAME	数量
1	PF430GZ01	油盘	OIL PAN	1
2	PF1310R05	废油回收壶盖	DUST OILER	1
3	SCJ2036	螺销M3X12	TAPPING SCREW, PAN V M3X12	2
4	PF1310R07	缓冲橡皮垫	RUBBER CUSHION	2
5	PF1310R09	油壶	OILER	1
7	PF1310R99	机头支承销	PIN	2
8	PF1310B24	螺钉M6X6	SET SCREW, SOCKET (FT) M6X6	2
9	PF1310R101	头部铰链座	HINGE HOLDER	2
10	PF1310R97	橡皮铰链	RUBBER CUSHION	2
11	PF1310R98	垫片	SPACER	2
12	PF19000118	螺栓M6X75	BOLT, SOCKET M6X75	7
13	PF19000119	平垫圈L6	WASHER, PLAIN L 6	7
14	PF1310R121	弹簧垫圈2-6	WASHER, SPRING 2-6	7
15	PF19000120	螺母M6	NUT, 1 M6	7
16	PF430GZ16	橡皮塞11.5	RUBBER CAP, 11.5	2
17	PF5550102301	附属品塑料袋	ACCESSORY BAG	1
18-1	PF19000423	430梭芯	BOBBIN	3
18-2	PF1310E39	渔网机梭芯	BOBBIN	3
19-1	PFDTDP1712	438机针 DP17/12	NEEDLE	4
19-2	PFDTDP1716	43001款机针 DP17/16	NEEDLE	4
19-3	PFDTDP1718	43002款和436机针 DP17/1	NEEDLE	4
19-4	PFDTDP1721	渔网机机针 DP17/21	NEEDLE	4
21	PF430GZ21	机头撑杆	HEAD REST	1
22	PF68425Z134	油壶组件	OILER ASSY	1
23	PF55501022	油罐组件	OIL TANK ASSY	1
24	PF55501018	小起子1.9X52	SCREW-DRIVER, 1.9X52	1
25	PF55501017	起子3.4X70	SCREW-DRIVER, 3.4X70	1
26	PF55501016	起子5.5X190	SCREW-DRIVER, 5.5X190	1
27	PF1310R20	扳手6X7	WRENCH, 6X7	1
28	PF7811937	双头扳手8X9	WRENCH, 8X9	1
29	PF1310R22	扳手10X12	WRENCH, 10X12	1
30	SCJ6001	内六角扳手1.5	HEXAGONAL WRENCH, 1.5	1
31	SCJ6002	内六角扳手2	HEXAGONAL WRENCH, 2	1
32	SCJ6003	内六角扳手2.5	HEXAGONAL WRENCH, 2.5	1
33	SCJ6004	内六角扳手3	HEXAGONAL WRENCH, 3	1
34	SCJ6005	内六角扳手4	HEXAGONAL WRENCH, 4	1
35	SCJ6006	内六角扳手5	HEXAGONAL WRENCH, 5	1
36	PF55501127	线架组件2DR	COTTON STAND ASSY, 2DR	1
37	PF430GZ37	垫圈	SPOOL STAND BASE	2
38	PF430GZ38	线盘软垫	SPOOL MAT	2
39	PF430GZ39	线轴缓冲架	SPOOL CUSHION	2
40	PF430GZ40	平垫圈16	WASHER, PLAIN 16	1
41	PF430GZ41	螺母 U5/8-28	NUT, U5/8-28	1
42	PF430GZ42	线架支撑管套	COLUMN CAP	1
43	PF430GZ43	橡皮垫圈	RUBBER WASHER	2
44	PF430GZ44	弹簧	SPRING	1
45	PF430GZ45	线架支撑管	COLUMN PIPE	1
46	PF430GZ46	线架支撑管套	COLUMN CAP	1
47	PF430GZ47	线架撑管D	COLUMN PIPE, D	1
48	PF430GZ48	撑管夹	COLUMN JOINT	1
49	PF430GZ49	线轴B	SPOOL SHAFT, B	2
50	PF430GZ50	弹簧垫圈2-5	WASHER, SPRING 2-5	2
51	PF430GZ51	六角螺母M5	NUT, 1 M5	2
52	PF430GZ52	插线架2	SPOOL HOLDER, 2	1
53	PF430GZ53	过线架2	THREAD HANGER, 2	1
54	PF430GZ54	过线管套	THREAD HANGER BASE	2
55	PF430GZ55	过线架上过线管	THREAD BUSH	2
56	PF430GZ56	六角螺母M5	NUT, 1 M5	4
57	PF430GZ57	螺钉M5X14	SCREW, PAN(S/P WASHER) M5X14	1

Z. 附件 / Accessories

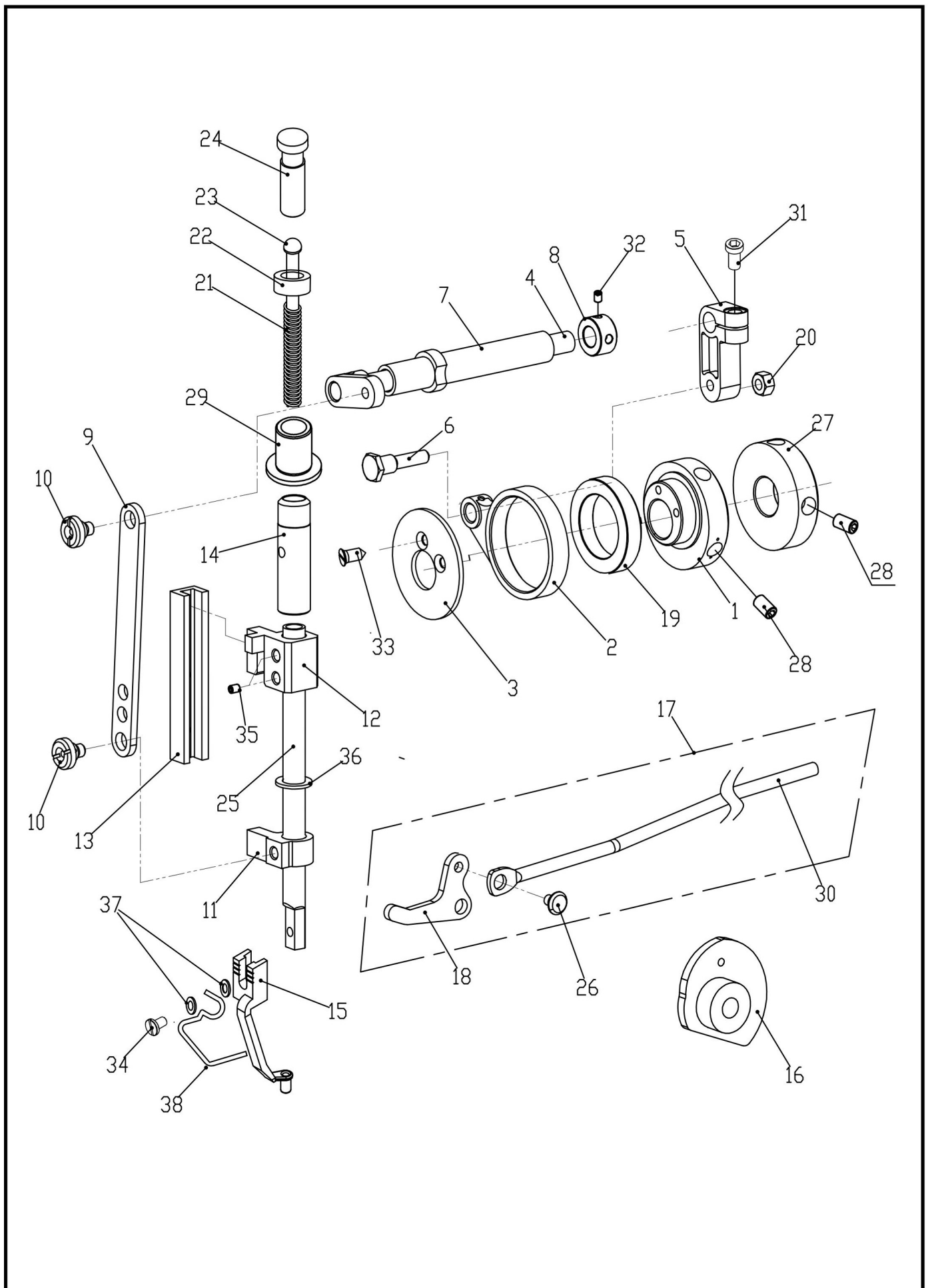




特种机系列>430系列> Z. 附件、Accessories

58	PF430GZ58	螺钉M5X32	SCREW, PAN (S/P WASHER) M5X32	1
59	PF430GZ59	螺钉M5X14	SCREW, PAN M5X14	2
61	PF1790S1401	机头罩	HEAD COVER	1
66	PF1310R88	护眼板组件	EYE GUARD	1
67	PF430GZ67	铰链组件	HINGE ASSY	1
68	PF430GZ68	护眼板铰链	EYE GUARD HINGE	1
69	PF430GZ69	护眼板	EYE GUARD	1
70	PF430GZ70	螺钉 <b>M3X8</b>	SCREW, FLAT M3X8	2
71	PF430GZ71	螺母 <b>M3</b>	NUT, 1 M3	2
72	PF430GZ72	垫圈 <b>M3</b>	WASHER, PLAIN M 3	2
73	PF430GZ73	护眼板架 <b>A</b>	EYE GUARD HOLDER, A	1
74	PF430GZ74	螺钉 <b>M3X5</b>	SCREW, PAN M3X5	2
75	PF1310D106	螺钉 <b>M4X6</b>	SCREW, PAN M4X6	2
76	PF1310R95	平垫圈 <b>S4</b>	WASHER, PLAIN S 4	4
77	TA2903	一体机后罩壳	BACK COVER	1
78	PF8420M-D30846	螺钉 <b>M6X10</b>	SCREW, PAN M6X10	2
79	PF1310C233	螺钉	SCREW	1
80	PF1790S0907	螺钉	SCREW	1
81	PF430GZ81	润滑脂组件	GREASE UNIT	1
82	TA2902	后罩壳支柱螺钉	BACK COVER SCREW	1
83	PF19032501	钮扣盘	BUTTON TRAY	1
84	PF19032503	钮扣盘底座	BUTTON TRAY HOLDER	1
85	PF1310B24	螺钉 <b>SM5.95-28X6</b>	SET SCREW, SOCKET SM5.95-28X6	1
86	SCJ2106	木螺钉	WOOD SCREW, FLAT	2
87	PF7811937	扳手 <b>8X9</b>	DOUBLE WRENCH, 8X9	1
88	PF430GZ88	弹簧 <b>A</b>	SPRING, A	1
89	PF430GZ89	螺钉 <b>SM3.57</b>	SCREW SM3.57	1
90	PF430GZ90	平垫圈 <b>S3.18</b>	WASHER PLAIN S 3.18	1
91	PF430GZ91	弹簧支架	SPRING SUPPORT	1
92	PF430GZ92	螺栓 <b>SM4.76X7</b>	BOLT, SM4.76X7	1
93	BF700M1903	硅油	SILICONE OIL	1

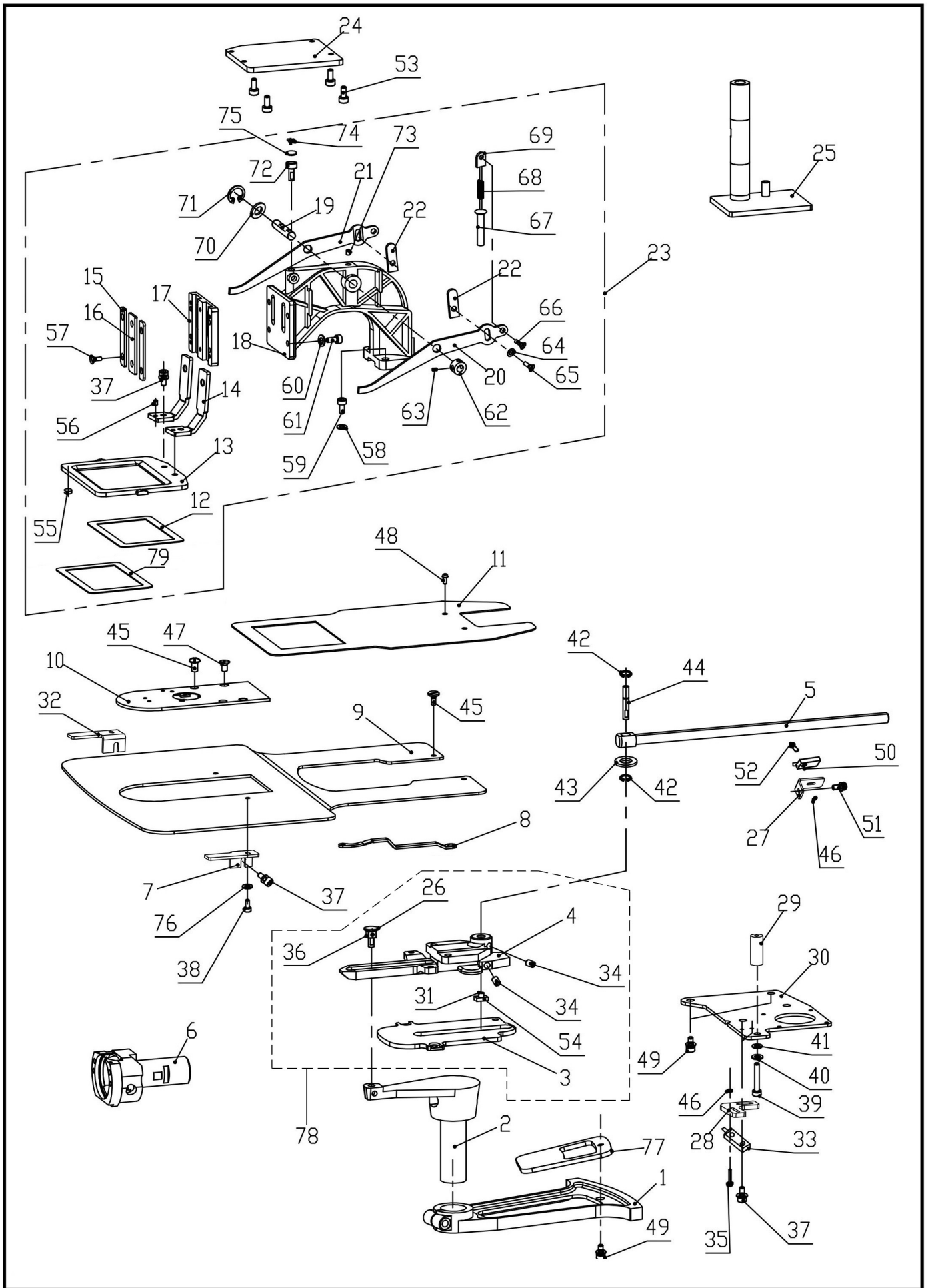
# W1. 抬压装置



特种机系列>436> W1、抬压装置、Work clamp lifter mechanism

序号NO	品号CODE	名称	NAME	数量
1	PF1310D101	偏心凸轮	STEPPING CLAMP CAM	1
2	PF436W102	随动驱动连杆	STEPPING CLAMP CON. ROD	1
3	PF1310D103	轴承盖	WASHER STEPPING CLAMP CAM	1
4	PF436W104	摆动杆	STEPPING CLAMP ARM	1
5	PF436W105	曲柄连杆	STEPPING CLAMP ARM	1
6	PF436W106	轴位螺钉7-8	ROLLER STEPING CLAMP	1
7	PF436W107	摆动杆轴套	BUSH STEPPING CLAMP	1
8	PF1310E05	紧圈B	SET SCREW COLLAR B	1
9	PF436W109	随动连杆	STEPPING CLAMP LINK	1
10	PF436W110	轴位螺钉7-3-405	SHOULDER SCREW 7-3-405	2
11	PF436W111	中压脚滑块	PRESSRE BAR SLIDE BLOCK	1
12	PF436W112	压杆夹头	PRESSRE BAR CLAMP	1
13	PF436W113	压紧杆导向槽	PRESSRE BAR SLIDE BLOCK GUIDE	1
14	PF436W114	中压脚轴套	PRESSER BAR BUSH	1
15	PF1310D157	中压脚	WORK CLAMP	1
16	PF436W116	抬压凸轮	STEPPING CLAMP CAM	1
17	PF436W117	抬压杆组件	STEPPING CLAMP ASSY	1
18	PF436W118	抬压曲柄	STEPPING CLAMP LIFTER	1
19	PF436W119	轴承6805VV	BALL BEARING 6805VV	1
20	BF889T276526	螺母M5X0.5	NUT M5X0.5	1
21	PF1310D151	压紧杆弹簧	PRESSER BAR SPRING	1
22	PF436W122	调压螺母M14	ADJUST SCREW NUT	1
23	PF1310D152	弹簧导杆	PRESSER BAR SPRING GUIDE	1
24	PF1310D149	调压螺钉M14	PRESSER ADJUSTING SCREW, M14	1
25	PF1310D156	压紧杆	PRESSER BAR	1
26	PF436W126	抬压曲柄销	STEPPING CLAMP CLAW	1
27	PF436W127	绕线驱动轮	DRIVING WHEEL B-WINDER	1
28	SCJ2079	固定螺钉M6X6	SET SCREW, SOCKET (FT) M6X6	4
29	PF1310D153	弹簧管套	COLLAR PRESSER BAR SPRING	1
30	PF436W130	抬压杆	STEPPING CLAMP ROD	1
31	PF1310E33	螺钉M5X12	BOLT SOCKET M5X12	1
32	PF1310B52	固定螺钉M6X5	SET SCREW, SOCKET (FT) M6X5	2
33	PF1310D106	螺钉M4X6	SCREW PAN M4X6	2
34	PF1310D158	螺钉SM3.57X12	SCREW 3.57X12	1
35	BF310164514	固定螺钉M5X5	SET SCREW, SOCKET (FT) M5X5	2
36	PF1310J30	减震垫	CUSHION	1
37	PF1310A35	平垫圈L3.5	WASHER PLAIN L 3.5	2
38	PF1310A34	护指器	FINGER GUARD	1

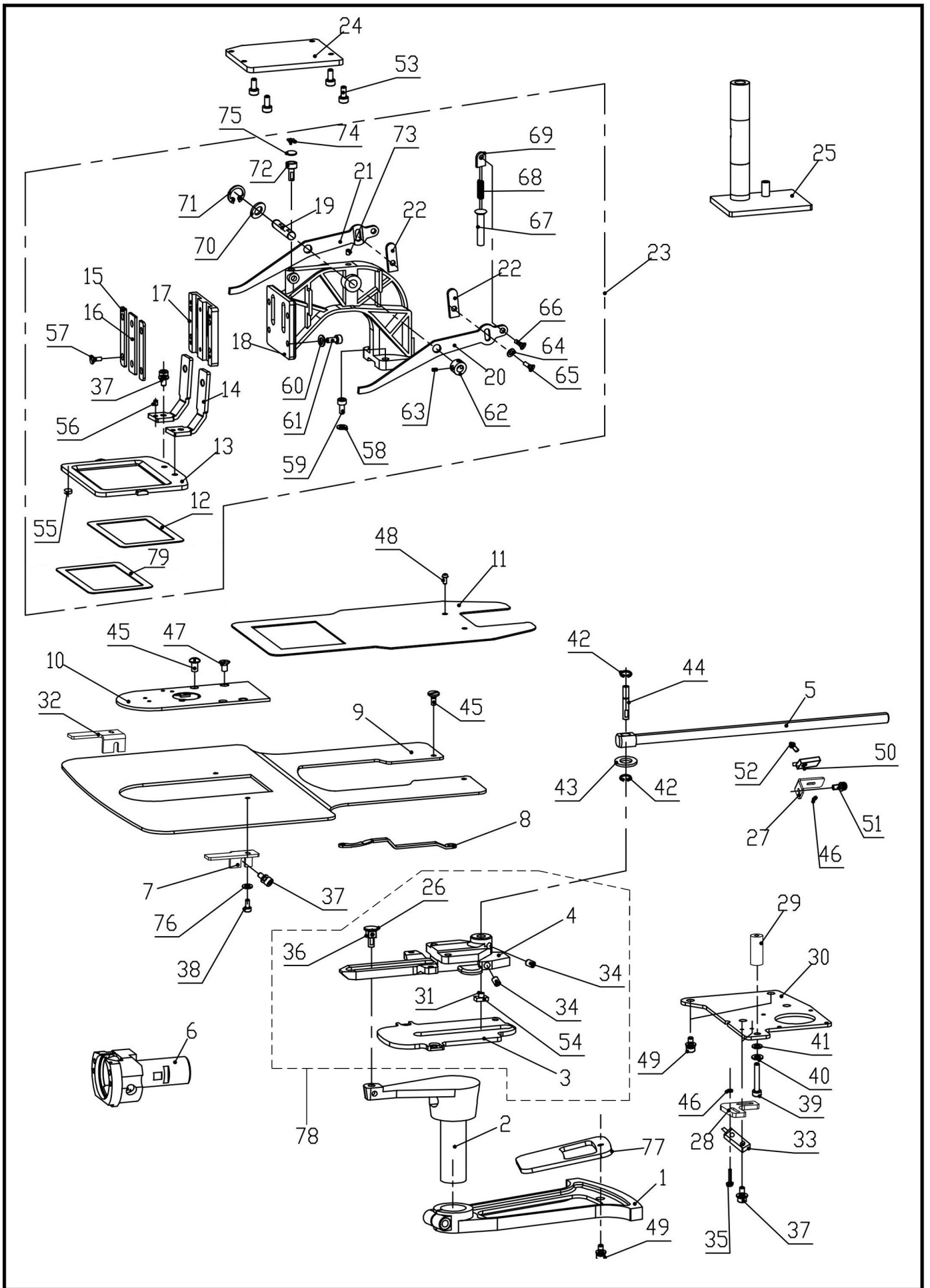
# W2. 送料装置



特种机系列>436> W2、送料装置、Feed mechanism

序号NO	品号CODE	名称	NAME	数量
1	PF436W201	送料齿轮X	X-FEED GEAR	1
2	PF436W202	送料杆X	X-FEED LEVER	1
3	PF436W203	送料台支板	FEED BAR SUPPORT PLATE	1
4	PF436W204	送料台	FEED BAR SUB ASSY FOR 436	1
5	PF436W205	齿条	Y-FEED RACK SHAFT	1
6	PF436W206	梭床	SHUTTLE RACE BASE ASSY	1
7	PF436W207	台板小支架-左	FEED BAR SUPPORT LEFT	1
8	PF436W208	动刀连杆	M-KNIFE CONNECTING PLATE	1
9	PF436W209	送料台板	AUXILIARY PLATE	1
10	PF436W210	针板组件	NEEDLE PLATE	1
11	PF436W211	送料板	FEED PLATE	1
12	PF436W212	模板框	PATTERN PLATE BOLSTER	1
13	PF436W213	压料框	WORK CLAMP BOLSTER	1
14	PF436W214	压脚柄(分)	WORK CLAMP	1
15	PF436W215	压脚压板C	WORK CLAMP GUIDE BRACKET, C	2
16	PF436W216	压脚压板D	WORK CLAMP GUIDE BRACKET, D	1
17	PF436W217	压脚滑轨	WORK CLAMP SLDIE BLOCK GUIDE	1
18	PF436W218	压脚臂	WORK CLAMP ARM	1
19	PF436W219	压脚臂杠杆轴	WORK CLAMP ARM LEVER SHAFT	1
20	PF436W220	压脚臂杠杆R	WORK CLAMP ARM LEVER, R	1
21	PF436W221	压脚臂杠杆L	WORK CLAMP ARM LEVER, L	1
22	PF436W222	压脚高度调节板	WORK CLAMP ARM LEVER PLATE	2
23	PF436W223	压脚臂组件	WORK CLAMP ASSY	1
24	PF436W224	压脚臂支板	WORK CLAMP ARM SUPPORT PLATE	1
25	PF436W225	抬压压脚板	<For 430G> WORK CLAMP LIFTER PLATE	1
26	PF430GC0301	送料杆滑块销	SLIDE BLOCK	1
27	PF436W227	检测器安装板Y	Y SENSOR PLATE	1
28	PF436W228	检测器安装板X	X SENSOR PLATE	1
29	PF436W229	支柱	PLATE SUPPORT	1
30	PF436W230	X电机安装板	X-MOTOR SETTING PLATE	1
31	PF430GC2602	送料杆滑块销	FEED LEVER PIN	1
32	PF436W232	台板小支架-右	FEED BAR SUPPORT RIGHT	1
33	PF436W233	X感应器	X SENSOR	1
34	PF1310B24	固定螺钉M6X6	SET SCREW, SOCKET (FT) M6X6	3
35	PF9820B11	螺钉M3X12	SCREW M3X12	1
36	PF430GC0302	送料杆滑块	FEED SLIDE BLOCK	1
37	PF1310C242	螺栓M5X10	BOLT SOCKET M5X10	6
38	PF1310D239	螺栓M4X6	BOLT SOCKET M4X6	2
39	PF436W239	螺栓M6X50	BOLT SOCKET M6X50	1
40	PF1310R121	弹簧垫圈2-6	WASHER SPRING 2-6	1
41	PF1310R119	平垫圈M6	WASHER PLAIN M6	1
42	SCJ1009	挡圈E6	RETAINING RING, E6	2
43	PF430GC11	平垫圈	WASHER PLAIN	1
44	PF430GC10	轴销Y	Y-CONNECTING PIN	1
45	PF1310J69	螺钉M4X8	SCREW M4X8	4
46	PF1900A0524	螺母M3	NUT M3	2
47	PF1310J68	螺钉M4X8	SCREW M4X8	2
48	PF430GC29	螺钉SM4.37	SCREW, ROUND W/SOCKET SM4.37	2
49	PF1310A37	螺栓M6X14	BOLT SOCKET M6X14	2
50	PF436W250	感应器Y	Y SENSHER	1
51	PF1310C233	螺栓M4X10DB	SCREW PAN M4X10DB	1
52	PF1310N06	螺钉M3X6	SCREW PAN M3X6	1
53	PF1310C110	螺栓M4X8	BOLT SOCKET M4X8	4
54	PF430GC2601	送料滑块	FEED SLIDE BLOCK	1
55	SCJ6088	圆柱磁铁	MAGNET	4
56	PF1310D125	螺钉M4X4	SET SCREW, SOCKET (FT) M4X4	2
57	PF430GC53	螺钉M3.5	SCREW FLAT M3.5	6
58	PF1900A0770	垫圈6.2X13X1	WASHER PLAIN 6.2X13X1	2
59	PF430GC70	螺栓M6X16	BOLT SOCKET M6X16	2

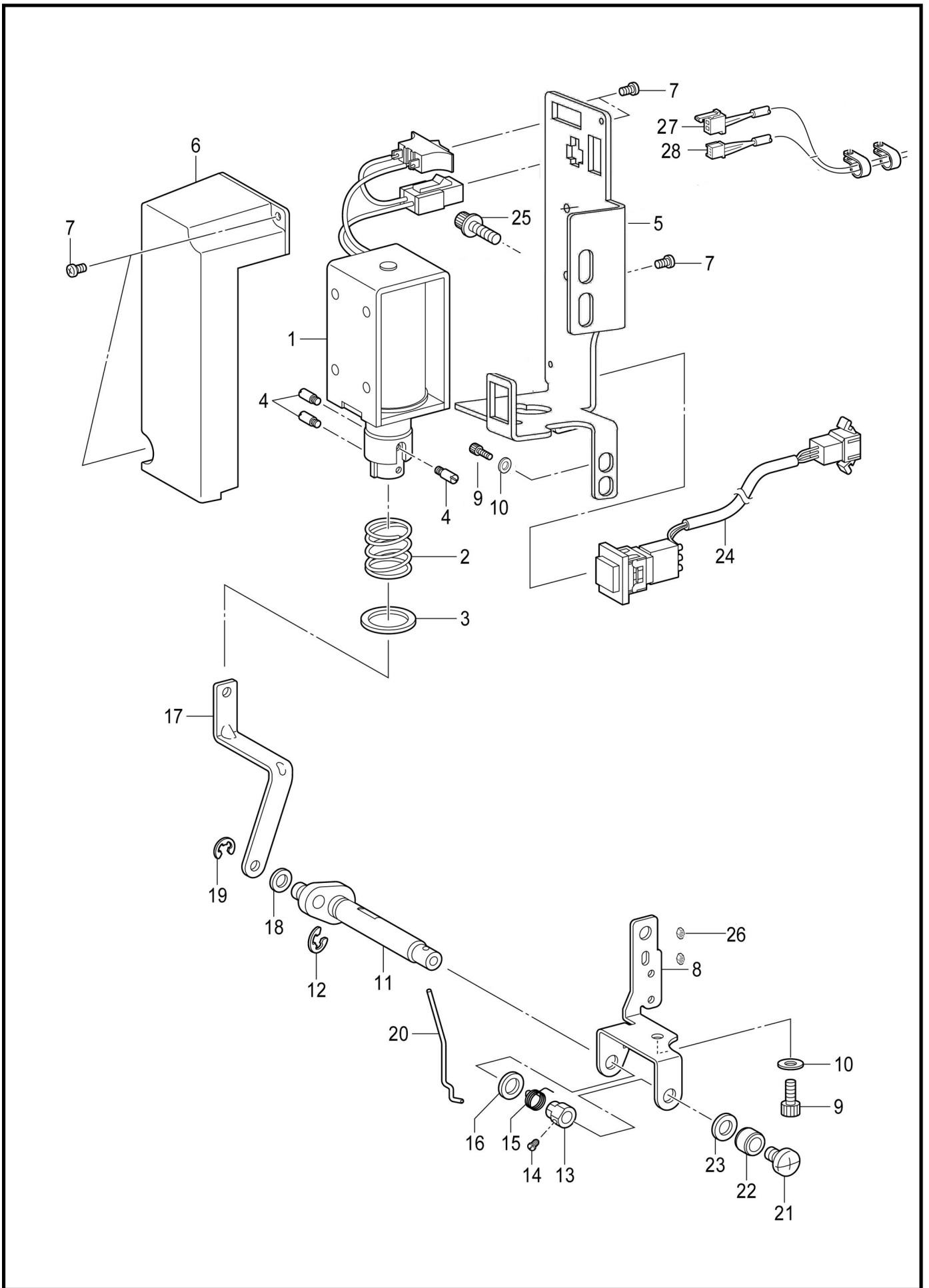
# W2. 送料装置



特种机系列>436> W2、送料装置、Feed mechanism

60	PF1310C124	平垫圈5	WASHER PLAIN 5	4
61	PF1310J48	螺钉M5X12	BOLT SOCKET M5X12	4
62	PF1310E05	紧圈	SET SCREW COLLAR	1
63	PF1310B52	固定螺钉M6X5	SET SCREW, SOCKET (FT) M6X5	2
64	PF1310C124	平垫圈5	WASHER PLAIN 5	2
65	PF1310C334	螺栓M5X8	BOLT SOCKET M5X8	2
66	PF430GC58	轴位螺钉M5	SHOULDER SCREW M5	2
67	PF430GC61	弹簧导柱	PRESSER BAR SPRING COLLAR	2
68	PF430GC59	弹簧A	SPRING A	2
69	PF430GC57	弹簧导向杆	SPRING GUIDE ROD	2
70	PF1310B18	平垫圈8	WASHER PLAIN	1
71	SCJ1009	挡圈E6	WASHER PLAIN SPECIAL 8	1
72	PF430GC41	压脚臂短轴	WORK CLAMP ARM LEVER SHAFT	1
73	BF310164514	固定螺钉M5X5	SET SCREW, SOCKET (FT) M5X5	1
74	SCJ6070	钢球1/8	BEARING BALL, 1/8	7
75	PF430GC67	垫片	WASHER	1
76	PF1310B47	垫圈L4	WASHER PLAIN	2
77	PF436W277	摆齿感应片	X SENSOR PLATE	1
78	PF436W278	送料台组件(4个零件)	FEED BAR ASSY	1
79	PF436W279	压框垫子	CUSHION	1

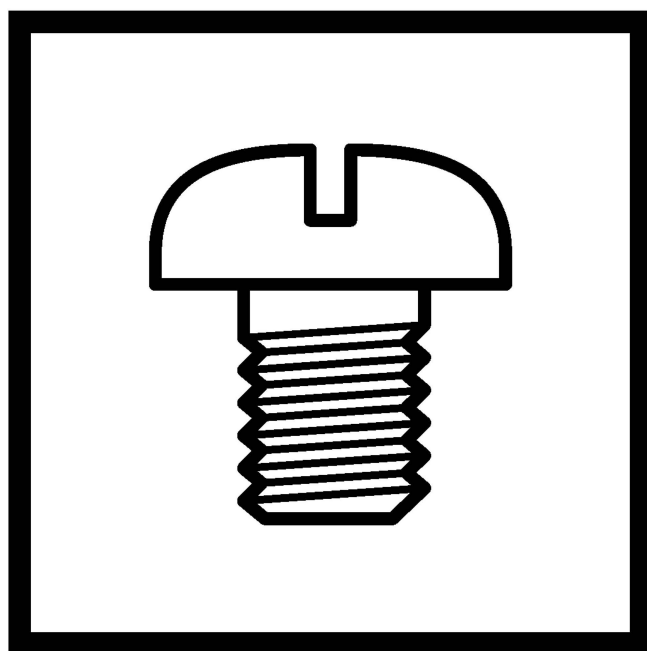
### W3. 扫线装置





特种机系列>436> W3、扫线装置、Thred wiper mechanism

序号NO	品号CODE	名称	NAME	数量
1	PF1310K01	扫线电磁铁	THREAD WIPER SOLENOID ASSY	1
2	PF436W302	挡线弹簧	THREAD WIPER SPPING	1
3	PF436W303	平垫圈	WASHER ,PLAIN	1
4	PF436W304	柱塞销	PLUNGER PIN	3
5	PF436W136	扫线电磁铁安装板	T-WIPER SOLENOID SETTING PLATE	1
6	PF1310K06	电磁铁盖	SOLENOID COVER	1
7	PF1310E22	螺钉M3X6	SCREW PAN M3X6	6
8	PF1310K08	扫线轴托架	THREAD WIPER SHAFT BRACKET	1
9	PF1310C110	螺钉M4X8	BOLT SOCKET M4X8	3
10	PF1310C136	平垫圈M4	WASHER PLAIN M4	3
11	PF1310K11	扫线曲柄轴组件	THREAD WIPER CRANK ASSY	1
12	SCJ1005	挡圈E4	RETAINING RING E4 0.6厚	1
13	PF1310K13	螺纹紧圈	SET SCREW COLLAR	1
14	PF1310K14	螺钉M3.5-5	SET SCREW,CP M3.5X5	1
15	PF436W315	弹簧	SPRING	1
16	PF436W316	消音垫	SILENT SHEET	1
17	PF436W137	扫线杆	THREAD WIPER ROD	1
18	PF1310K18	垫圈	WASHER	1
19	SCJ1003	挡圈E3	RETAINING RING E3	1
20	PF1310K20	扫线	WIPER	1
21	PF1310K21	螺钉M4X5	SCREW BIND M4X5	1
22	PF1310K22	挡线轴挡圈	THREAD WIPER STUD COLLAR	1
23	PF1310K23	垫圈	WASHER	1
24	PF1310K24	停止开关组件	STOP SWITCH ASSY	1
25	PF1310C242	螺钉M5X10	BOLT SOCKET M5X10	2
26	PF1310C237	六角螺母M4	NUT M4	2
27	PF1310N11	电磁铁接线	THREAD WIPER SOLENOID HARNESS	1
28	PF1310N12	开关接线	STOP WITCH HARNESS	1



零件手册  
PARTS BOOK